

1135 Series

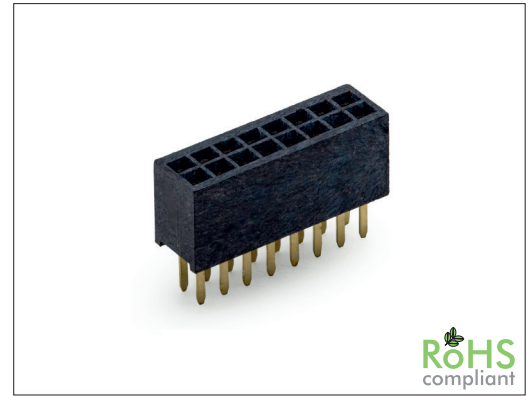
1.27 x 1.27 mm Female Header Dual Row

General specifications

Insulator material	Nylon-9T, UL94V-0, color: black
Contact material	Phosphor bronze
Current rating	1 A
Voltage rating	100 V AC/DC
Contact resistance	20 mΩ max.
Insulator resistance	1000 MΩ min.
Dielectrical withstanding	500 VAC for 1 min
Operating temperature	-40 °C to +105 °C
Soldering	Lead free wave soldering process

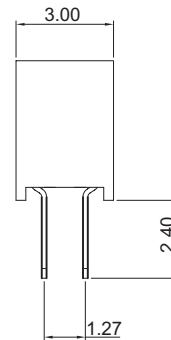
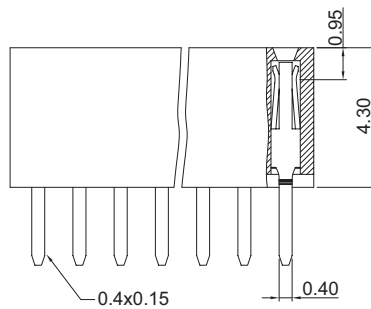
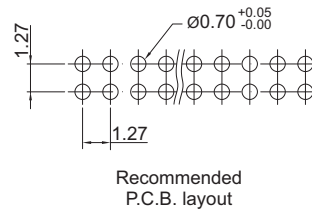
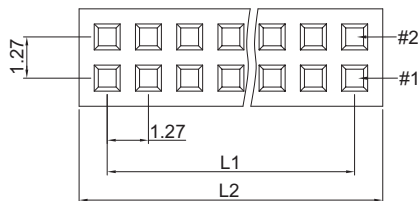
Mating parts series

1104, 1112, 1114, 1152, 1153, 1157, 1158, 1162, 1163



Mechanical dimensions

Unit: mm



$$L1 = \left(\frac{\text{No. of contacts}}{2} - 1 \right) \times 1.27$$

$$L2 = \left(\frac{\text{No. of contacts}}{2} \right) \times 1.27 + 0.45 \pm 0.50$$

Tolerances		
Linear	X	± 0.38
	.XX	± 0.25

Part numbering guide

1135 S — **04** — **B**

Series
S = THT straight

No. of contacts
04 to 100

Contact plating
B = Flashgold
E = 10 μm gold
F = 15 μm gold
J = 30 μm gold

* standard

