

2301 Series

3.00 mm Micro MF Housing Single Row w/ Lock

General specifications

| | |
|---------------------------|-----------------------------------------|
| Insulator material | Polyester, UL94V-0, color: black |
| Contact material | Phosphor bronze |
| Current rating | 5 A (with two pins wire AWG20 7 A max.) |
| Voltage rating | 250 VAC |
| Contact resistance | 10 mΩ max. |
| Insulator resistance | 1000 MΩ min. |
| Dielectrical withstanding | 1500 VAC for 1 min |
| Operation temperature | -40 °C to +105 °C |
| Wire range | AWG 20 to 30 |

Mating parts series

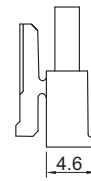
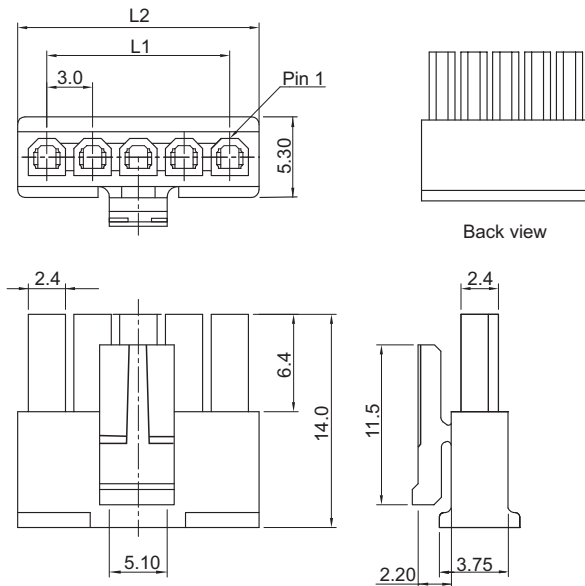
2301-HV, 2301-SR, 2301-M or cable assembly



Mechanical dimensions

Unit: mm

2301P



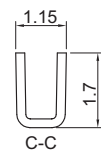
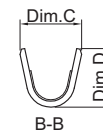
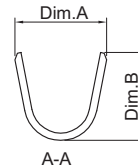
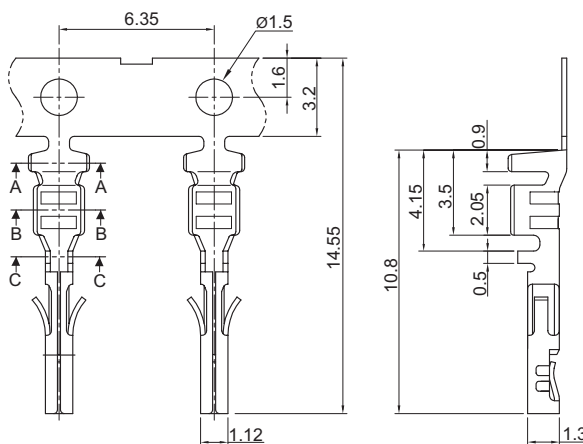
2 contacts

$$L1 = (\text{No. of contacts} - 1) \times 3.00$$

$$L2 = \text{No. of contacts} \times 3.00 + 0.90$$

2301T

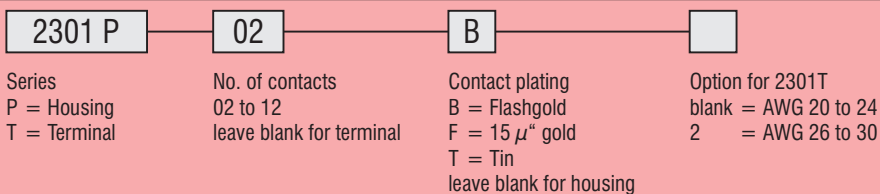
Replaceable by 2300T



| AWG | Dim.A | Dim.B | Dim.C | Dim.D |
|----------|-------|-------|-------|-------|
| 20 to 24 | 2.5 | 2.4 | 2.1 | 2.0 |
| 26 to 30 | 2.1 | 1.9 | 1.7 | 1.5 |

| Tolerances | | |
|------------|------|--------|
| Linear | X | ± 0.30 |
| | .XX | ± 0.20 |
| | .XXX | ± 0.10 |

Part numbering guide



* standard

