

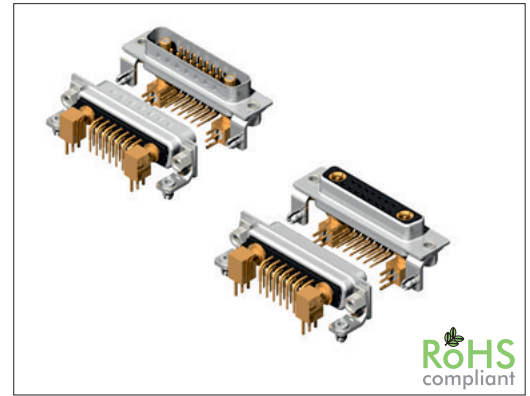
3166 Series

D-Sub Coaxial 17W2 Right Angle 50/75 Ω

General specifications

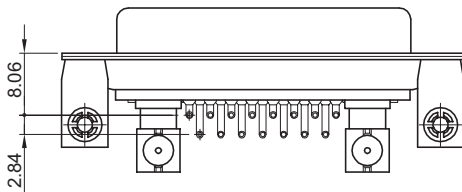
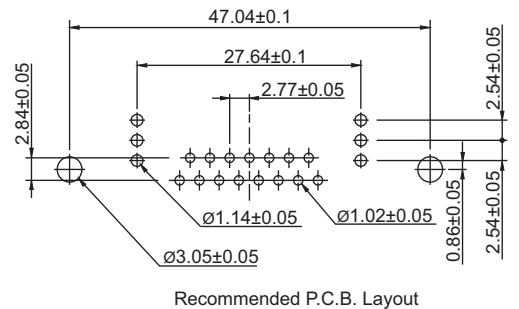
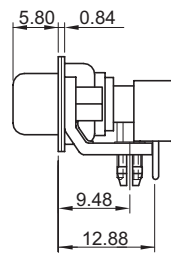
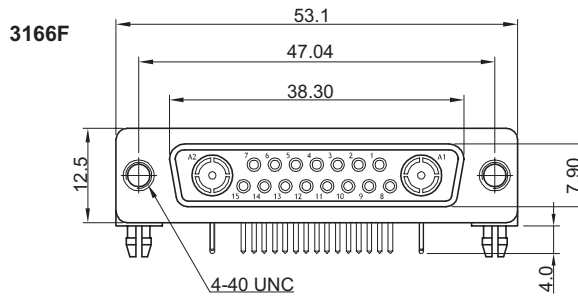
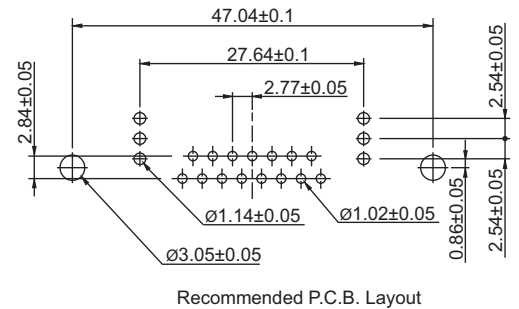
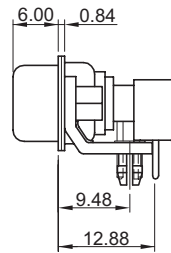
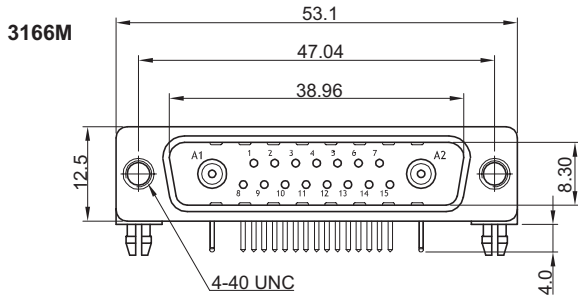
Insulator material	Glass filled polyester, UL94V-0
Coaxial insulator	Teflon white, UL94V-0
Contact material	Copper alloy
Shell material	Steel, plating: tin
Signal contact rating	3 A
Contact resistance	10 mΩ max.
Insulator resistance	5000 MΩ min.
Dielectrical withstanding	1000 VAC for 1 min
Operating temperature	-55 °C to +125 °C
Durability	100 cycles

Mating parts series



Mechanical dimensions

Unit: mm



Tolerances		
Linear	X	± 0.30
	XX	± 0.20
	XXX	± 0.10

Type 0 (w/ Ø3.05 holes)	Type B (w/ rivited front bolts)	Type C (w/ rivited rear bolts)	Type I (w/ ground tabs)	Type L (w/ tabs w/ lock)

Part numbering guide

3166 F

50

B

B

0

Series

F = Female
M = Male

Impedance

50 = 50 Ω
75 = 75 Ω

Coaxial contact plating

B = Flashgold
F = 15 μ" gold
J = 30 μ" gold

Signal contact plating

B = Flashgold
F = 15 μ" gold
J = 30 μ" gold

Mounting type

0 = w/o screws
B = w/ rivited front bolts 4.0 mm
C = w/ rivited rear bolts 4.0 mm
I = w/ ground tabs Ø3.2 mm

L = w/ tabs w/ boardlock

* standard

