

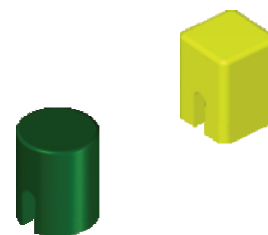
SW-KTSC Series Knob for Tactile Switch 6 x 6 mm

General specifications

Knob material	Thermoplastic ABS
Temperature range	-40 °C to + 85 °C

Mating parts series

SW-DTS(G)644, SW-DTSM(G)644, SW-DTSA(G)644, SW-DTSAM(G)644



ROHS
compliant

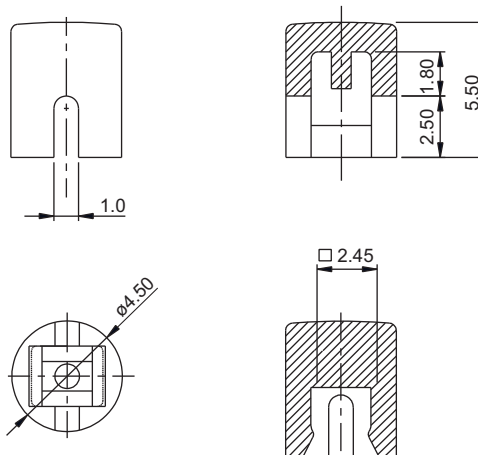
Mechanical dimensions

Unit: mm

KTSC61



KTSC62



Tolerances

Linear	± 0.20
--------	--------

Part numbering guide

SW-KTSC

Series

6

Size
6 = Knob for 6 x 6 mm switches

1

Knob type
1 = Square
2 = Round

B

Cap color
B = Blue
G = Green
I = Ivory
K = Black

R = Red
S = Salmon
Y = Yellow
Ge = Gray

* standard

