

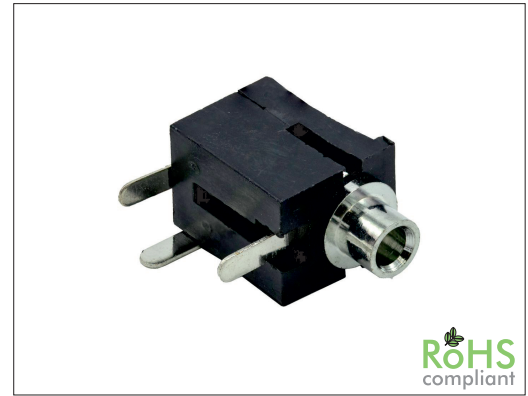
# 4132 Series

# 2.5 mm Earphone Jack

### General specifications

Insulator material	PC, UL94V-0
Contact material	Brass, plating: nickel
Current rating	0.5 A
Voltage rating	30 VDC
Contact resistance	50 mΩ max.
Insulator resistance	100 MΩ min.
Dielectrical withstanding	500 VAC for 1 min
Operating temperature	-25 °C to +85 °C
Soldering	Lead free wave soldering process
Durability	5000 cycles

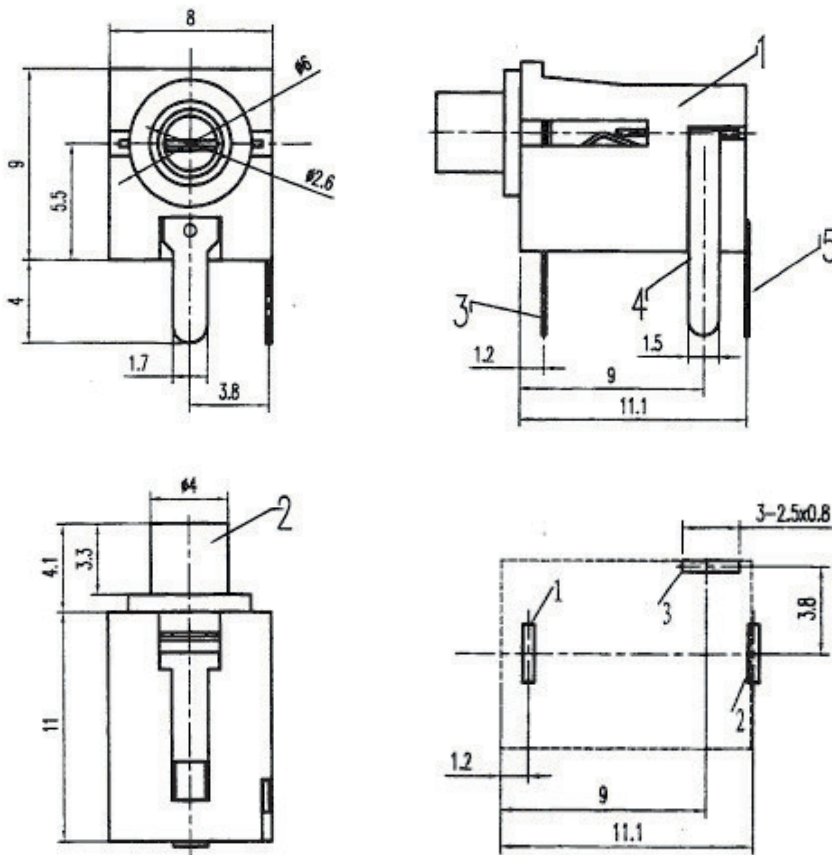
### Mating parts series



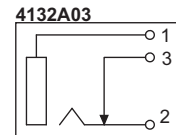
RoHS compliant

### Mechanical dimensions

Unit: mm

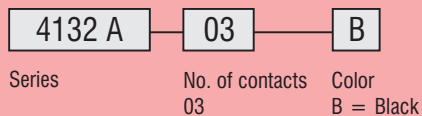


Recommended P.C.B. layout  
Tolerances ± 0.10



Tolerances		
Linear	X	± 0.30
	.XX	± 0.20
	.XXX	± 0.05

### Part numbering guide



\* standard

