

5968 Series

AC Inlet Socket Solder Type Snap-In

General specifications

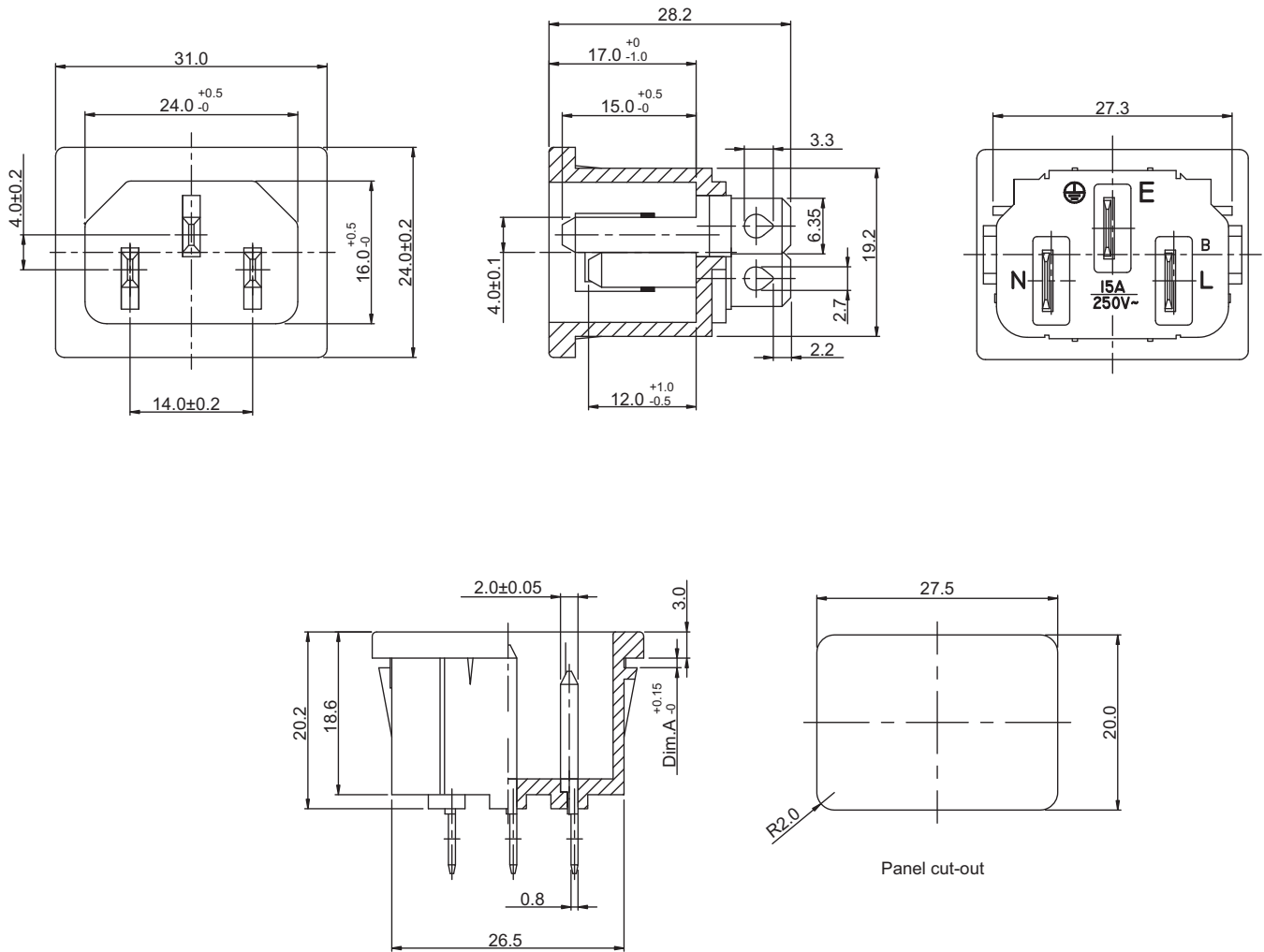
Insulator material	Thermoplastic, UL94V-2 to UL94V-0
Current rating	10 A
Voltage rating	250 VAC
Insulator resistance	100 MΩ min.
Dielectrical withstanding	2000 VAC for 1 min
Operation temperature	-25 °C to +85 °C
Soldering	Lead free soldering process

Mating parts series



Mechanical dimensions

Unit: mm



Tolerances	
Linear	XX.XX ± 0.20
	X.XX ± 0.10

Part numbering guide

5968 A	10	V0
Series	Panel thickness Dim. A 10 = 1.00 mm 12 = 1.20 mm 15 = 1.50 mm	Material V0 = UL94V-0 V1 = UL94V-1 V2 = UL94V-2

* standard

