

64313 Series RJ45 8P Side Entry Shielded

General specifications

Insulator material	High temperature thermoplastic, UL94V-0, color: black
Contact material	Phosphor bronze, plating: gold over nickel
Current rating	1.5 A
Voltage rating	125 VAC
Contact resistance	30 mΩ max.
Insulator resistance	1000 MΩ min. @ 500 VDC
Dielectrical withstandig	1000 VAC for 1 min
Operating temperature	-40 °C to +85 °C
Soldering	JEDEC lead free wave soldering process
Durability	750 cycles

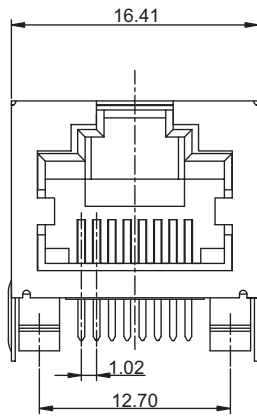
Mating parts series



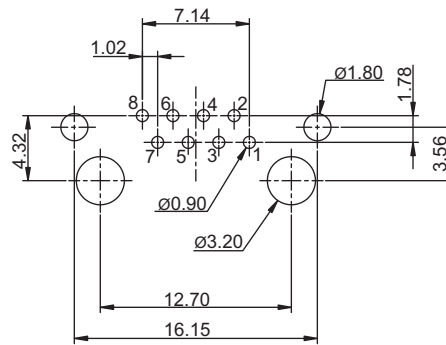
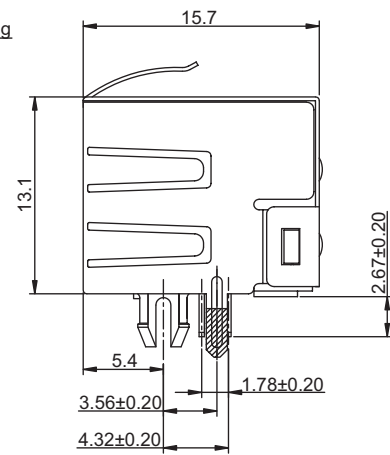
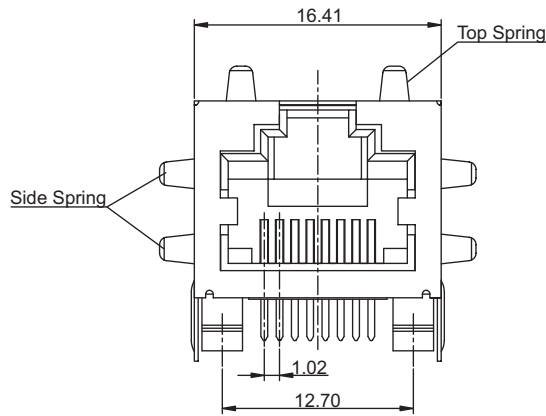
Mechanical dimensions

Unit: mm

w/o Spring



w/ Spring



Recommended P.C.B. layout

Tolerances

Linear	X	± 0.20
	.XX	± 0.15

Part numbering guide

64313	C	0
Series RJ45 8P	Contact plating C = 3 μ" gold D = 6 μ" gold F = 15 μ" gold	Ground spring J = 30 μ" gold K = 50 μ" gold 0 = w/o spring 3 = top + side spring

* standard

