

Series 43243 2x RCA Jack / Cinch Vertical

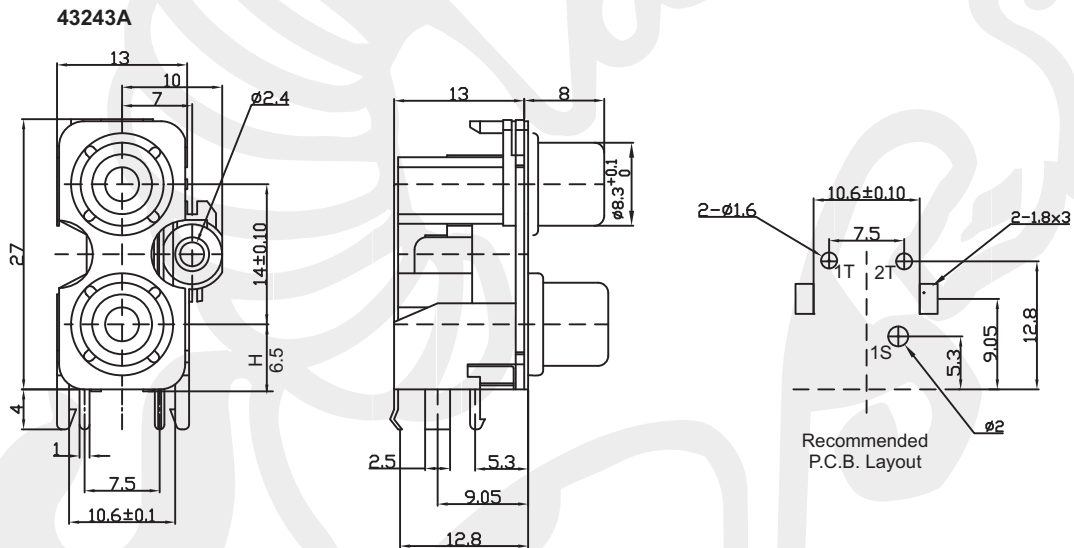
Material

Base, insulator: ABS
 Color washer: PBT + 15% glass fiber
 Contact: Brass

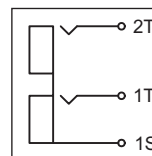
Electrical

Rating: 0.2 Amp @ 50 VDC
 Contact resistance: 30 mΩ max.
 Insulator resistance: 100 MΩ min.
 Dielectrical withstanding: 500 VAC/minute
 Operating temperature: -40°C ~ +70°C
 Durability: 500 cycles

43243A



Code	A	B
01	white	red
02	red	white
03	yellow	red
04	red	yellow
05	yellow	green
06	orange	orange
07	blue	red
08	green	blue
09	black	black
10	yellow	white
11	t.b.d. by customer	



Tolerances	
Linear	<6 ± 0.1
	6-20 ± 0.2
	>20 ± 0.3



All dim. in mm

43243 A — **01**

Series 43243A
 43243B
 43243C

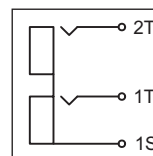
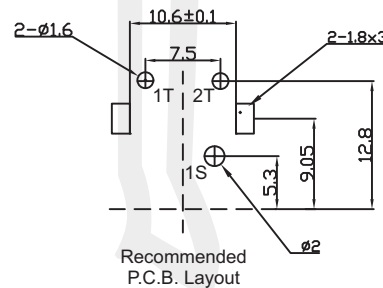
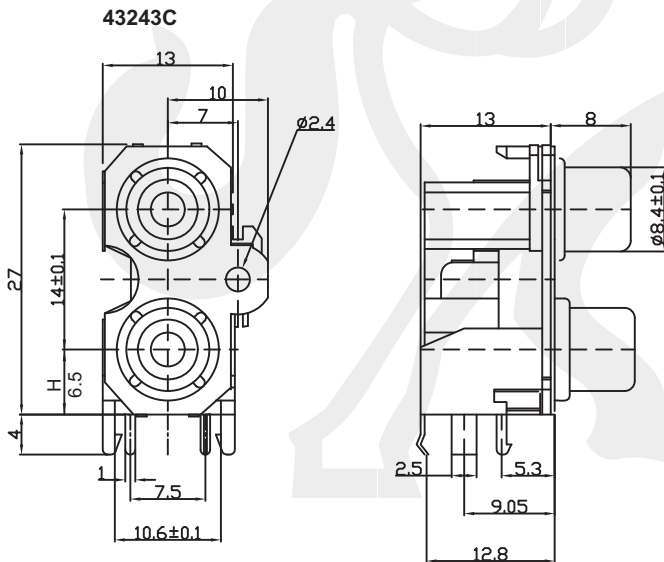
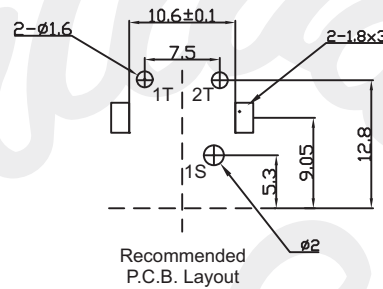
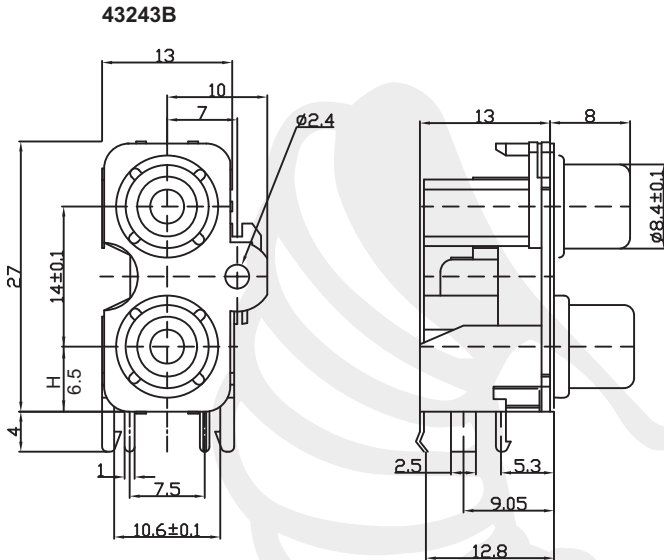
Color code see table

Packing Box

Series 43243 2x RCA Jack / Cinch Vertical

43243B

43243C



Tolerances	
Linear	<6 ± 0.1
	6-20 ± 0.2
	>20 ± 0.3



All dim. in mm