

49071 Series SSMB Plug Right Angle Crimp

General specifications

| | |
|--------------------------------|--|
| Insulator material | Teflon |
| Body material | Brass, plating: 3 μ " gold |
| Center contact material | Beryllium copper, plating: 30 μ " gold |
| Crimp ferrules | Annealed brass, plating: 3 μ " gold |
| Contact / insulator resistance | Center: 5 m Ω max., outer: 2.5 m Ω max. / 1000 M Ω min. |
| Dielectrical withstanding | 500 VAC for 1 min |
| Impedance / Frequency range | 50 Ω / 0 to 4 GHz |
| VSWR | 1.3 + 0.03 F (GHz) max. |
| Operating temperature | -65 °C to +165 °C |
| Durability | 500 cycles |

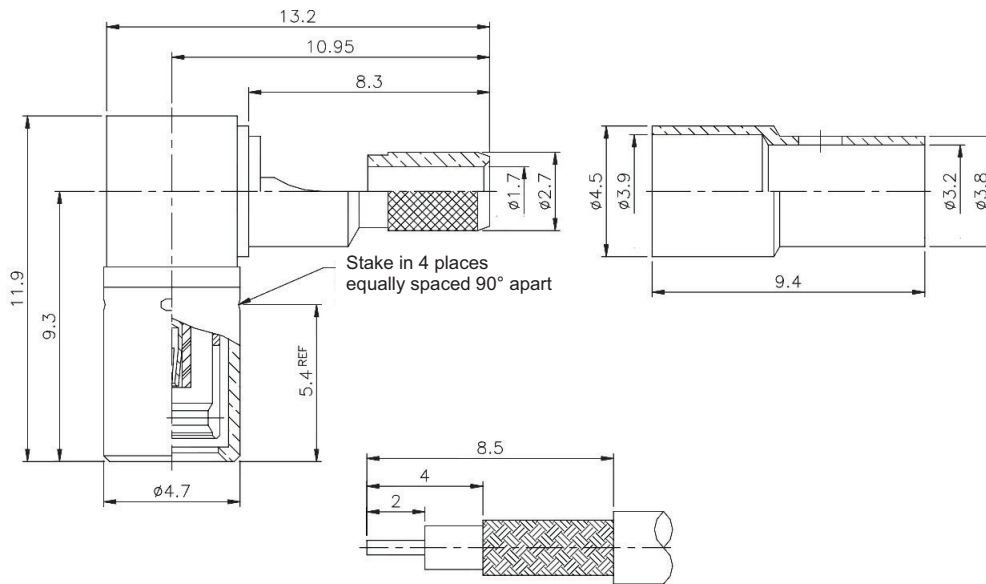
Mating parts series



RoHS
compliant

Mechanical dimensions

Unit: mm



| Tolerances | |
|------------|----------------|
| Linear | < 6 ± 0.20 |
| | 6 to 30 ± 0.40 |
| | > 30 ± 0.60 |

Part numbering guide

49071

Series

A

Cable

A = RG-174/U, 188/U, 316/U

B = RG-316/U double braid

C = RG-178B/U, 196A/U

* standard

