

5971 Series

AC Inlet Socket Solder w/ Fuseholder

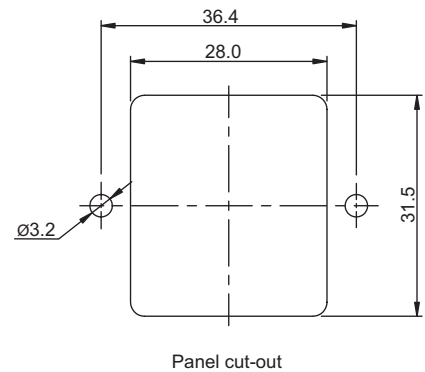
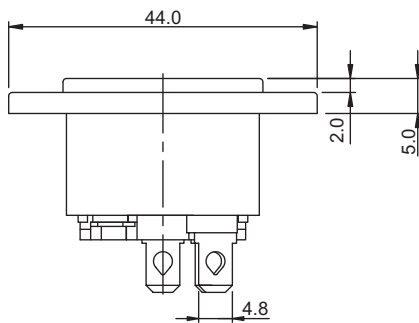
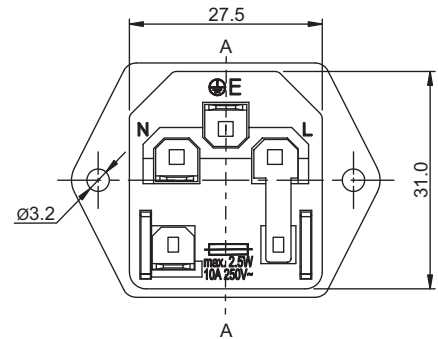
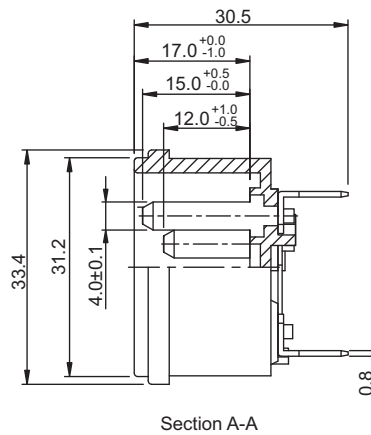
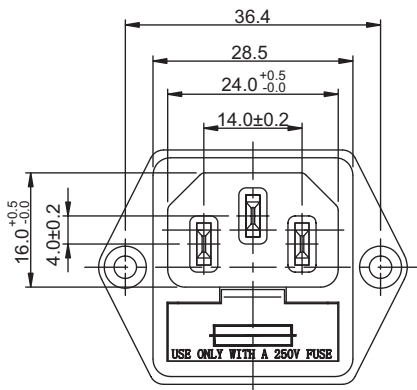
General specifications

Insulator material	Thermoplastic, UL94V-2 to UL94V-0
Fuseholder suitable	5 x 20 mm fuse (not included)
Current rating	10 A
Voltage rating	250 VAC
Insulator resistance	100 MΩ min.
Dielectrical withstanding	2000 VAC for 1 min
Operation temperature	-25 °C to +85 °C
Soldering	Lead free soldering process
Safety approvals available, certificates on request	
Mating parts series	



Mechanical dimensions

Unit: mm



Tolerances	
Linear	XX.XX ± 0.20
	X.XX ± 0.10

Part numbering guide

5971 A — V0

Series

Material

V0 = UL94V-0

V1 = UL94V-1

V2 = UL94V-2

* standard

