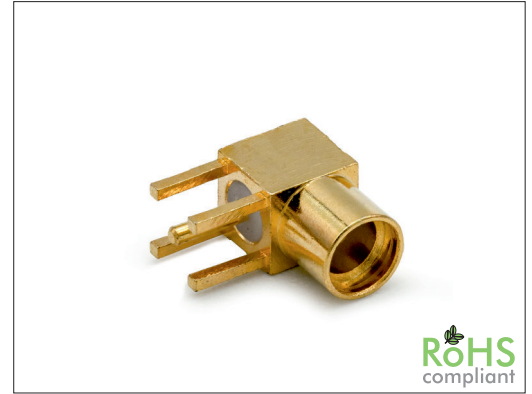


49700 Series

MMCX Jack Right Angle

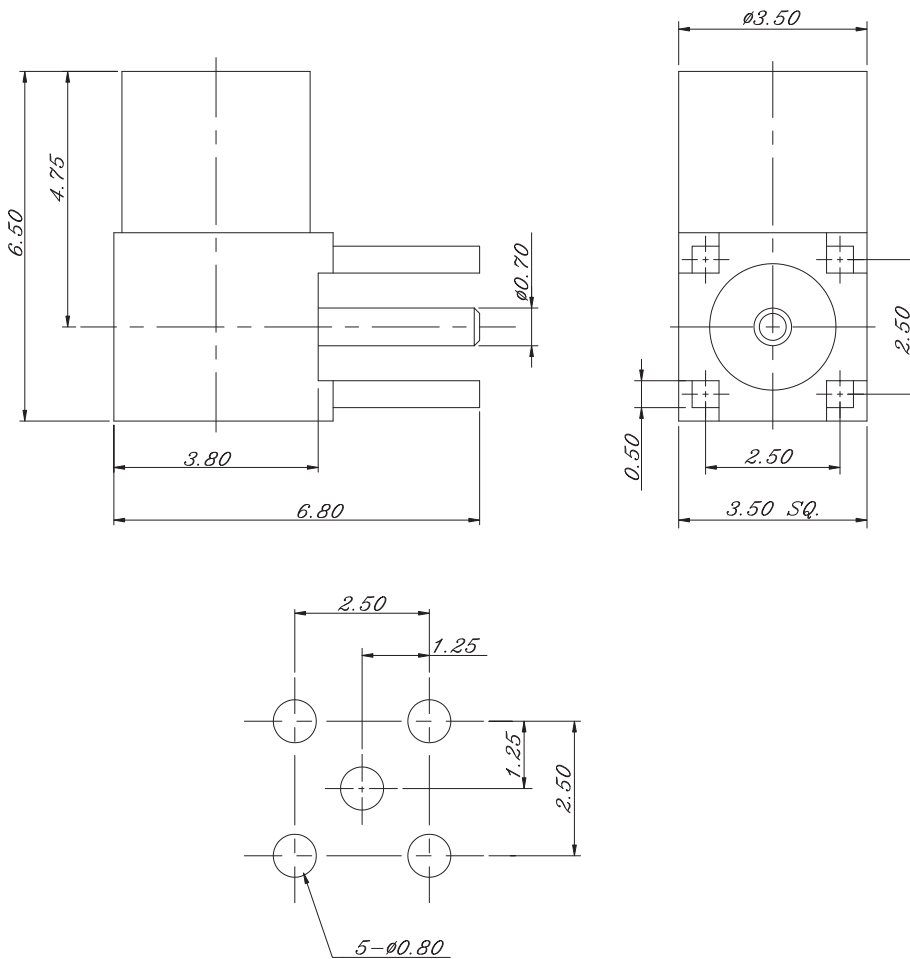
General specifications

Insulator material	Teflon
Center contact material	Beryllium copper, plating: gold
Body material	Brass, plating: gold
Impedance	50 Ω
Frequency range	0 to 3 GHz
Contact resistance	3 mΩ max.
Insulator resistance	5000 MΩ min.
Dielectrical withstanding	500 VAC
Operation temperature	-65 C to +165 C
Durability	500 cycles



Mechanical dimensions

Unit: mm



Recommended P.C.B. layout

Tolerances	
Linear	<6 ± 0.2
	6 to 30 ± 0.4
	>30 ± 0.6

Part numbering guide

49700

Series

* standard

