

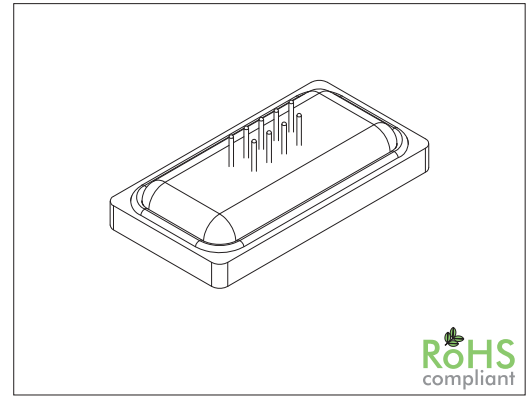
3038 Series

D-Sub Female Waterproof

General specifications

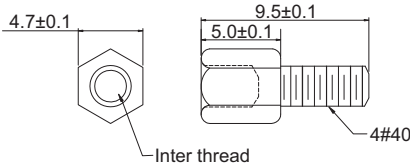
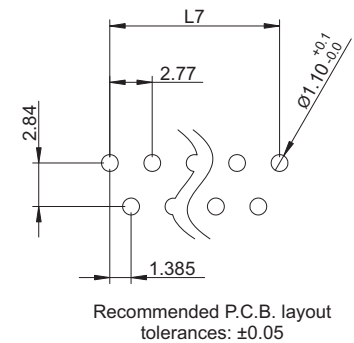
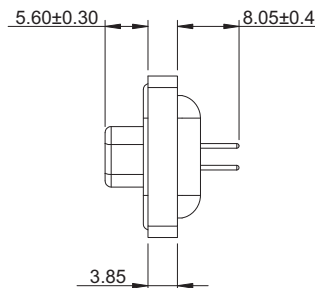
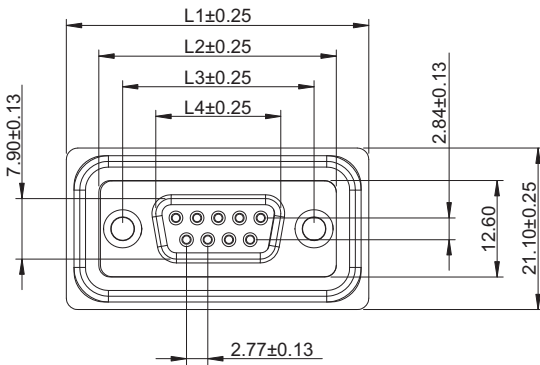
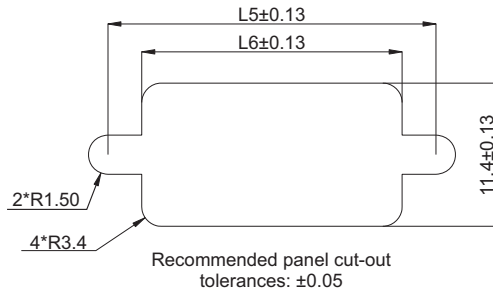
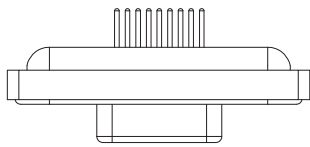
Insulator material	Thermoplastic, UL94V-0, color: black
Contact material	Copper alloy
Shell material	Steel
Waterproof ring / glue	Silicone / epoxy-resin
Current / voltage rating	3 A / 250 VAC
Contact resistance	15 mΩ min. @ 500 VDA
Dielectrical withstanding	1000 VAC for 1 min
Operating temperature	-55 °C to +105 °C
Waterproof rate	IP 67
Soldering	Lead free wave soldering process

Mating parts series



Mechanical dimensions

Unit: mm



Contacts	L1	L2	L3	L4	L5	L6	L7
09	39.50	31.00	25.00	16.34	25.00	20.50	11.08
15	48.00	39.30	33.32	24.66	33.30	28.80	19.39
25	61.50	53.20	47.04	38.38	47.00	42.50	33.24
37	77.80	69.50	63.50	54.84	63.50	59.10	49.86

Tolerances	
Linear	.XX ± 0.30
	.XXX ± 0.20

Part numbering guide



Series
F = Female

No. of contacts
09, 15, 25, 37

Contact plating
B = Flashgold

Mounting type
1 = w/ fixed hex-rit (M3)
2 = w/ fixed hex-rit (4#40)
3 = w/ fixed hex-rit (4#40)
and screw 5 x 9.5 mm

* standard

