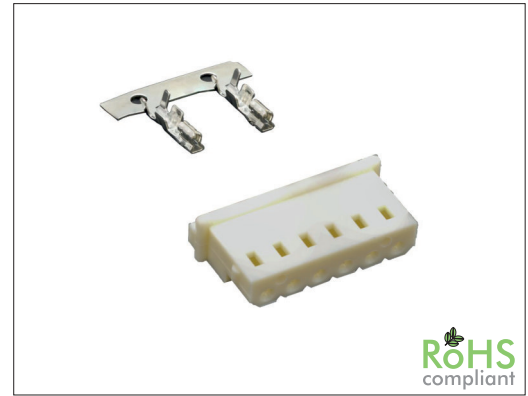


# 2255 Series

# 2.50 mm Housing and Terminal

### General specifications

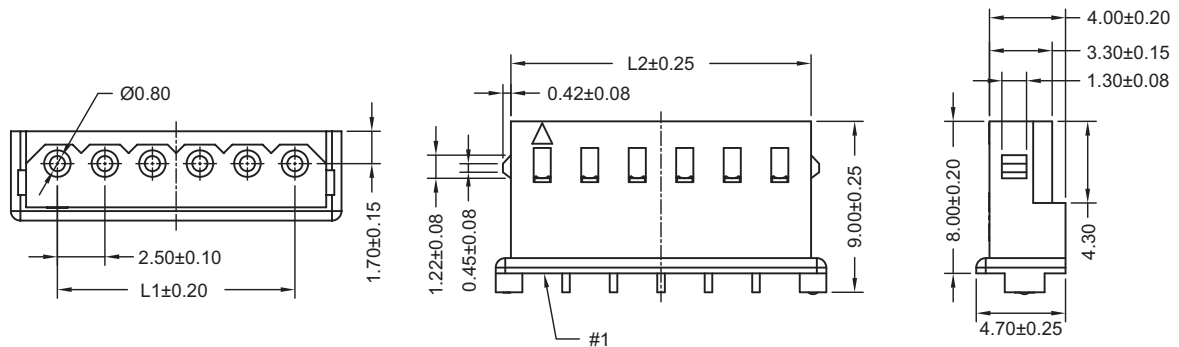
Insulator material	Nylon 66, UL94V-0, color: ivory
Contact material	Phosor bronze, plating: tin
Current rating	3 A
Voltage rating	250 V AC/DC
Contact resistance	20 mΩ max.
Insulator resistance	1000 MΩ min.
Dielectrical withstanding	1000 VAC for 1 min
Operating temperature	-25 °C to +85 °C
<b>Mating parts series</b>	
2255-SR	



### Mechanical dimensions

Unit: mm

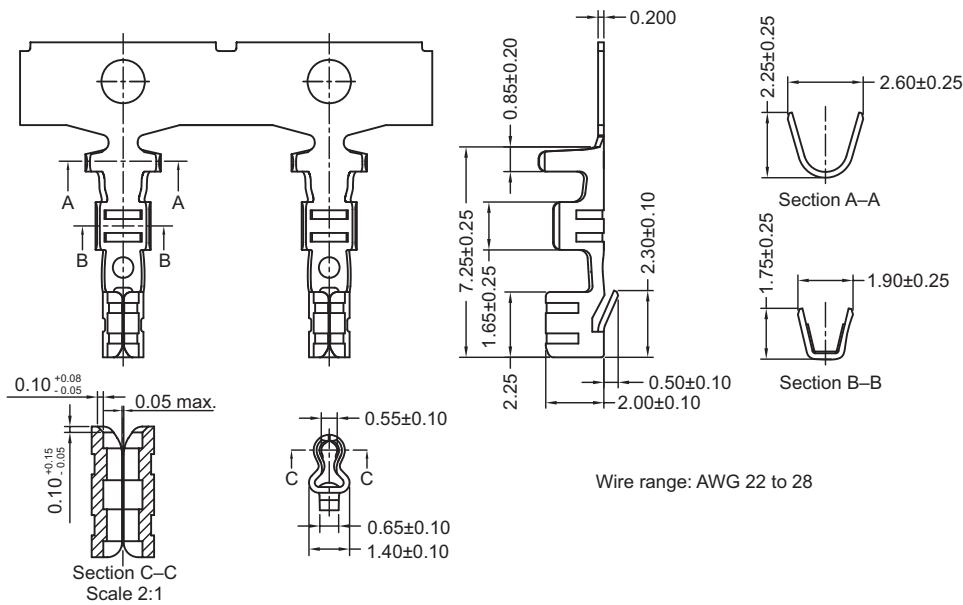
#### 2255P



L1 = No. of contacts x 2.50 - 2.50

L2 = No. of contacts x 2.50 + 0.80

#### 2255T



Wire range: AWG 22 to 28

Tolerances		
Linear	X	± 0.25
	.XX	± 0.15
	.XXX	± 0.05

### Part numbering guide

2255 P — 02

Series                      No. of contacts  
 P = Housing              02 to 16  
 T = Terminal              (leave blank for terminal)

\* standard

