

62130 Series RJ11 / RJ12 Top Entry

General specifications

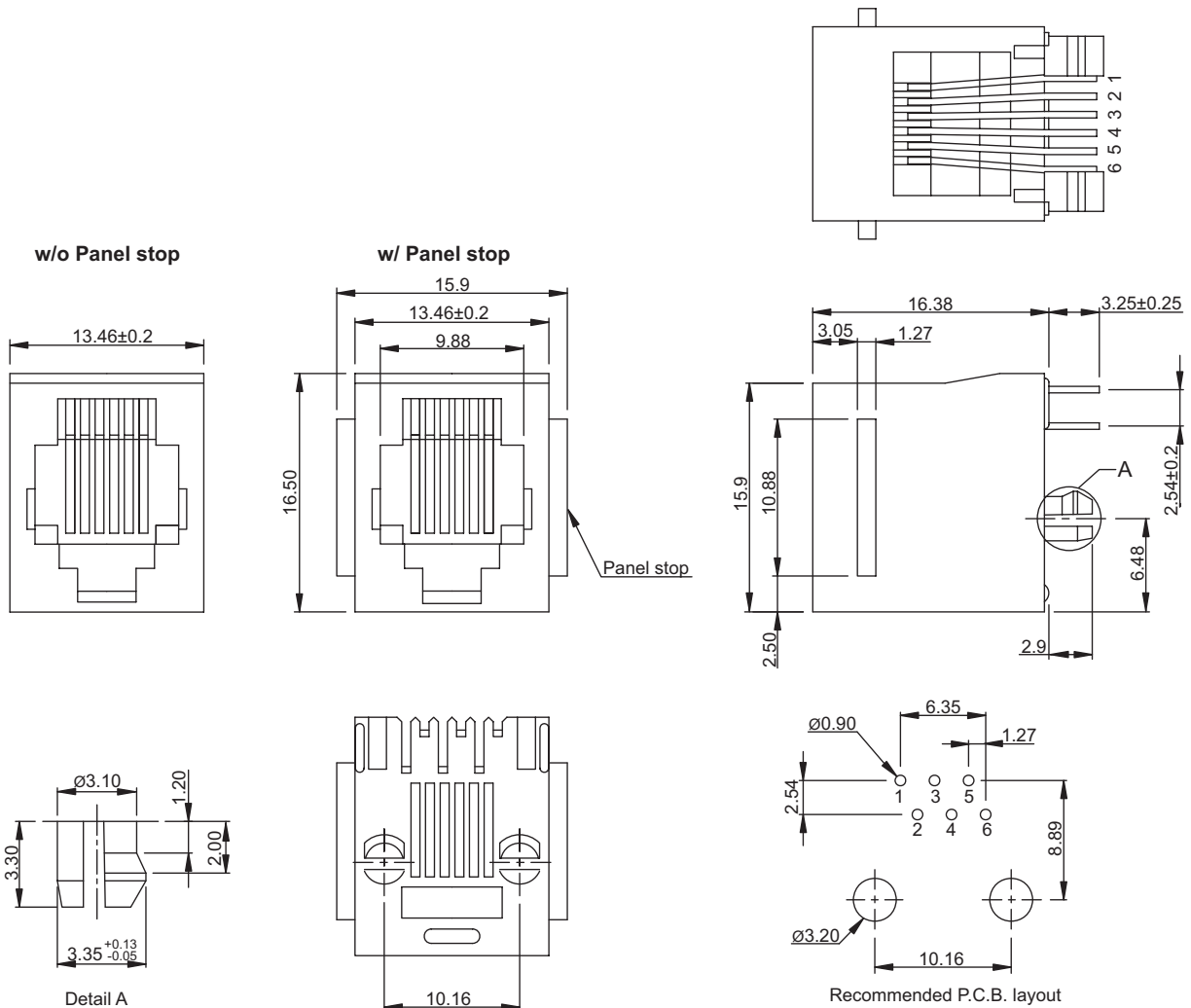
Insulator material	PBT w/ glass fiber, UL94V-0, color: black
Contact material	Phosphor bronze, plating: gold over nickel
Current rating	1 A
Voltage rating	150 VAC
Contact resistance	50 mΩ max.
Insulator resistance	200 MΩ min.
Operating temperature	-40 °C to +85 °C
Soldering	JEDEC lead free wave soldering process
Durability	750 cycles

Mating parts series



Mechanical dimensions

Unit: mm



Tolerances	
Linear	X ± 0.25
	.XX ± 0.15

Part numbering guide

62130	C	4	0
Series RJ11 6P4C RJ12 6P6C	Contact plating C = 3 μ" gold D = 6 μ" gold F = 15 μ" gold	J = 30 μ" gold K = 50 μ" gold	No. of contacts 4, 6 Panel stop 0 = w/o stop 1 = w/ stop

* standard

