

2300 Series

3.00 mm Micro MF Housing w/ Lock

General specifications

Insulator material	PBT or Nylon PA66, UL94V-0, color: black
Contact material	Phosphor bronze
Current rating	5 A (with two pins, wire AWG20 7 A max.)
Voltage rating	250 VAC
Contact resistance	10 mΩ max.
Insulator resistance	1000 MΩ min.
Dielectrical withstanding	1500 VAC for 1 min
Operation temperature	-40 °C to +105 °C
Wire range	AWG 20 to 30

Mating parts series

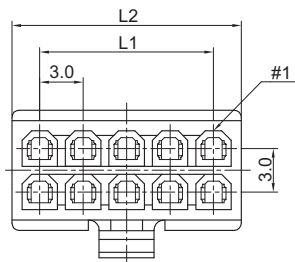
2300-HV, 2300-SR, 2300-M or cable assembly



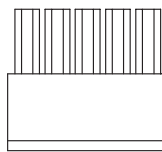
Mechanical dimensions

Unit: mm

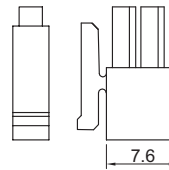
2300P



Back view

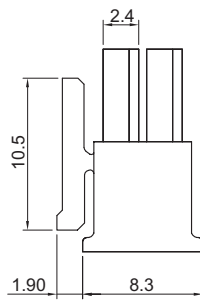
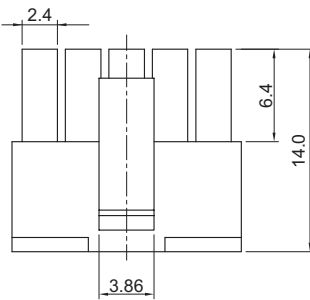


2 contacts

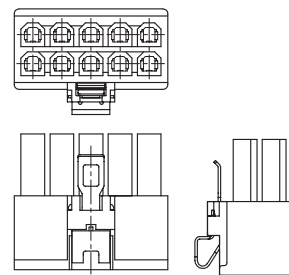


$$L1 = \left(\frac{\text{No. of contacts}}{2} - 1 \right) \times 3.00$$

$$L2 = \left(\frac{\text{No. of contacts}}{2} \right) \times 3.00 + 0.90$$

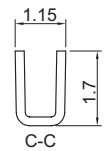
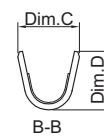
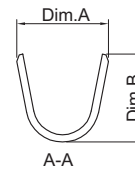
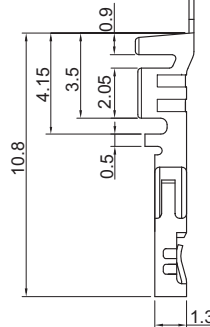
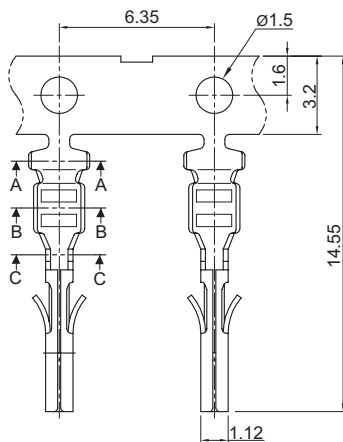


w/ metal latch



2300T

Replaceable by 2301T



AWG	Dim.A	Dim.B	Dim.C	Dim.D
20 to 24	2.5	2.4	2.1	2.0
26 to 30	2.1	1.9	1.7	1.5

Tolerances

Linear	X	± 0.30
	.XX	± 0.20
	.XXX	± 0.10

Part numbering guide

2300 P

Series
P = Housing
T = Terminal

02

No. of contacts
02 to 24
leave blank for terminal

B

Contact plating
B = Flashgold
F = 15 μ" gold
T = Tin
leave blank for housing

Option for 2300P
blank = standard
M = w/ metal latch

Option for 2300T
blank = AWG 20 to 24
2 = AWG 26 to 30

* standard

