

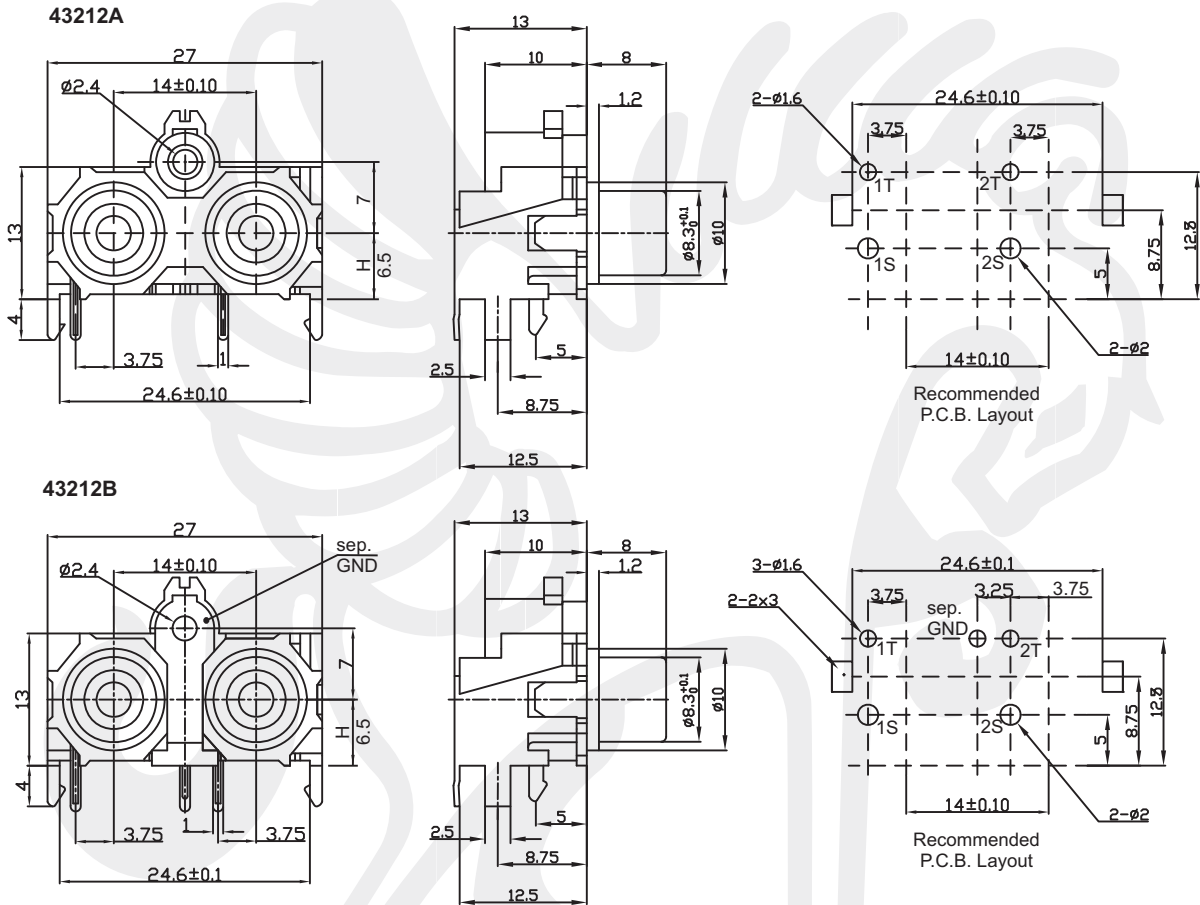
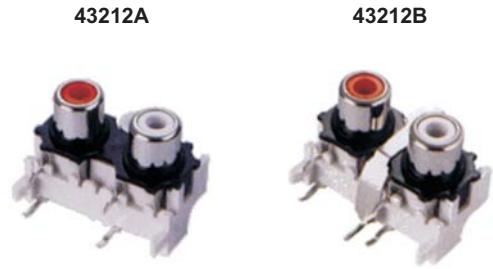
Series 43212 2x RCA Jack / Cinch Horizontal

Material

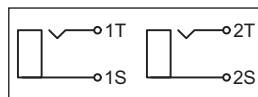
Base, insulator: ABS
 Color washer: PBT + 15% glass fiber
 Contact break / needle: H65 Brass / QSn 6.5-0.1

Electrical

Rating: 0.2 Amp @ 50 VDC
 Contact resistance: 30 mΩ max.
 Insulator resistance: 100 MΩ min.
 Dielectrical withstanding: 500 VAC/minute
 Operating temperature: -40°C ~ +70°C
 Durability: 500 cycles



Code	A	B
01	white	red
02	red	white
03	yellow	red
04	red	yellow
05	yellow	green
06	orange	orange
07	blue	red
08	green	blue
09	black	black
10	yellow	white
11	t.b.d. by customer	



Tolerances	
Linear	<6 ± 0.1
	6-20 ± 0.2
	>20 ± 0.3



All dim. in mm

43212 A — **01**

Series 43212A
 43212B
 43212C
 43212D

Color code see table

Packing Box

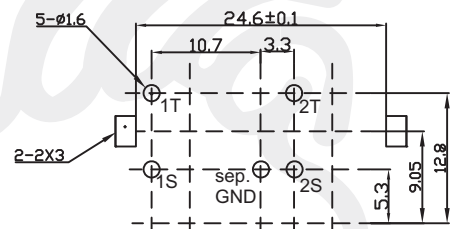
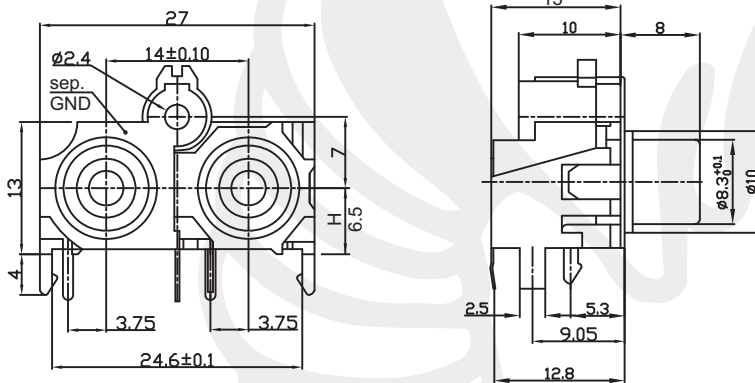
Series 43212 2x RCA Jack / Cinch Horizontal

43212C

43212D

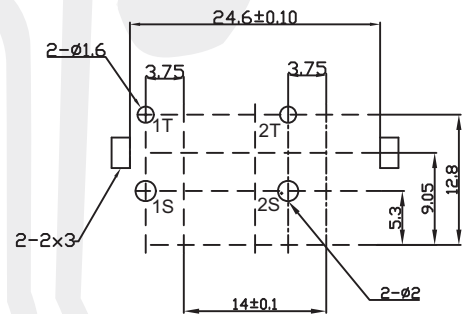
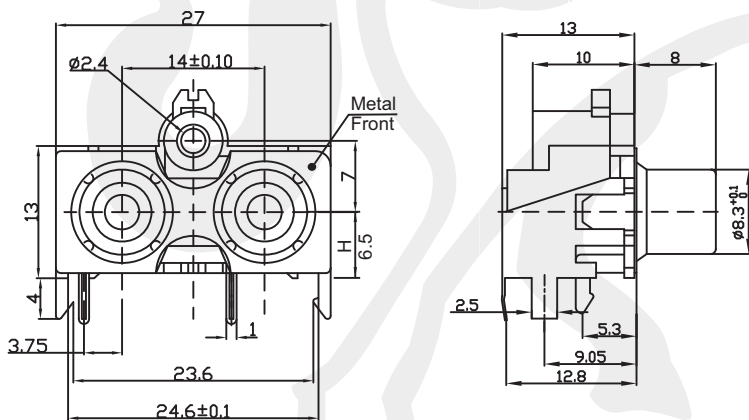


43212C

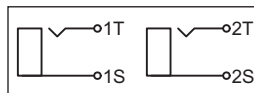


Recommended P.C.B. Layout

43212D



Recommended P.C.B. Layout



Tolerances	
Linear	<6 ± 0.1
	6-20 ± 0.2
	>20 ± 0.3



All dim. in mm