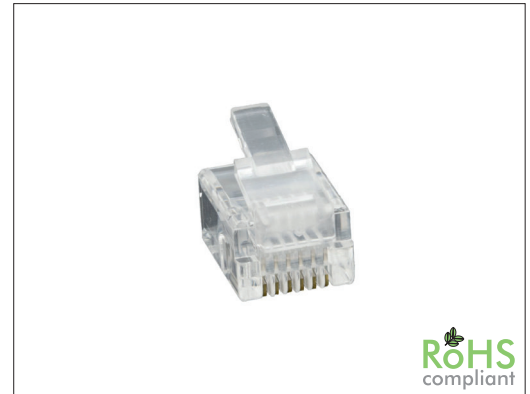


6096X Series RJ12 Plug 6 Positions

General specifications

| | |
|---------------------------|--------------------------------|
| Insulator material | PC, UL94V-0 |
| Contact material | Phosphor bronze, plating: gold |
| Current rating | 1.5 A |
| Voltage rating | 125 VAC |
| Contact resistance | 20 mΩ max. |
| Insulator resistance | 500 MΩ min. |
| Dielectrical withstanding | 1000 VAC for 1 min |
| Operating temperature | -40 °C to +70 °C |
| Durability | 750 cycles |

Mating parts series



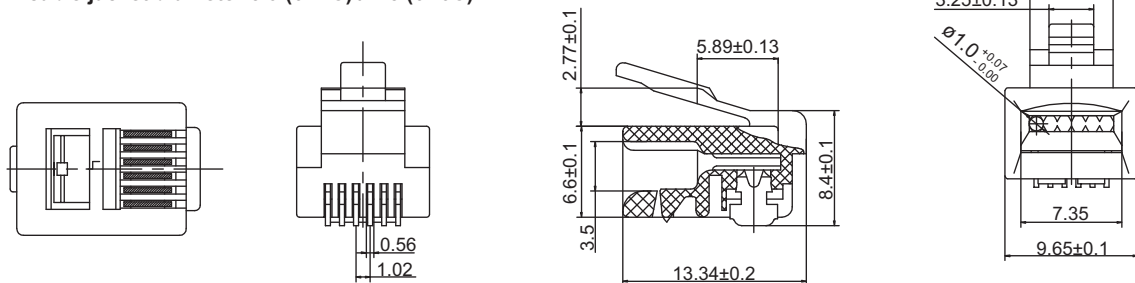
RoHS
compliant

Mechanical dimensions

Unit: mm

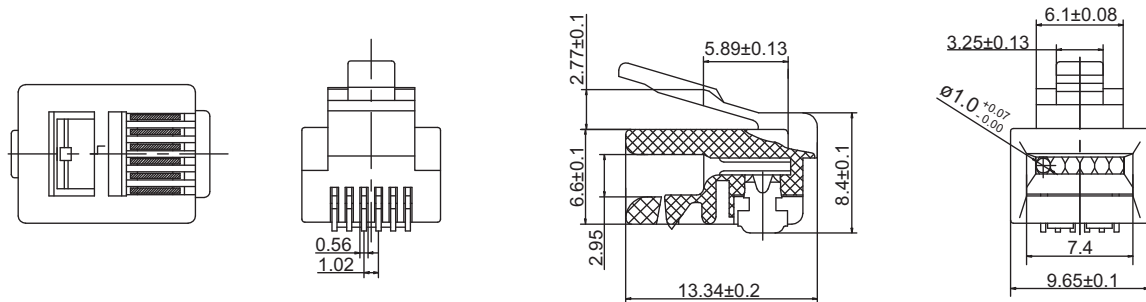
Standard for round cable

Stranded wire 26 to 28 AWG, max. insulation diameter 0.89 to 0.99
max. cable jacket diameter 3.9 (6P4C) / 4.5 (6P6C)



Standard for Flat Cable

Stranded Wire 26 to 28 AWG, max. insulation diameter 0.89 - 0.99mm
max. cable jacket diameter 2.2x5.0mm (6P4C) / 2.5x6.7mm (6P6C)



| Tolerances | |
|------------|-----------------|
| Linear | <15 ± 0.15 |
| | 15 to 30 ± 0.20 |
| | >30 ± 0.25 |

Part numbering guide

| | | | | |
|--------|-----------------------------------|----------------------|--|---|
| 6096 | 6 | N | T | R |
| Series | No. of contacts 6 = 6 contacts | Type N = Standard | Color T = Transparent R = Red G = Green Y = Yellow | Applicable cable R = Round F = Flat |

* standard

