

Series 43248 2x RCA Jack / Cinch Vertical

Material

Base, insulator: ABS
 Color washer: PBT + 15% glass fiber
 Contact: Brass

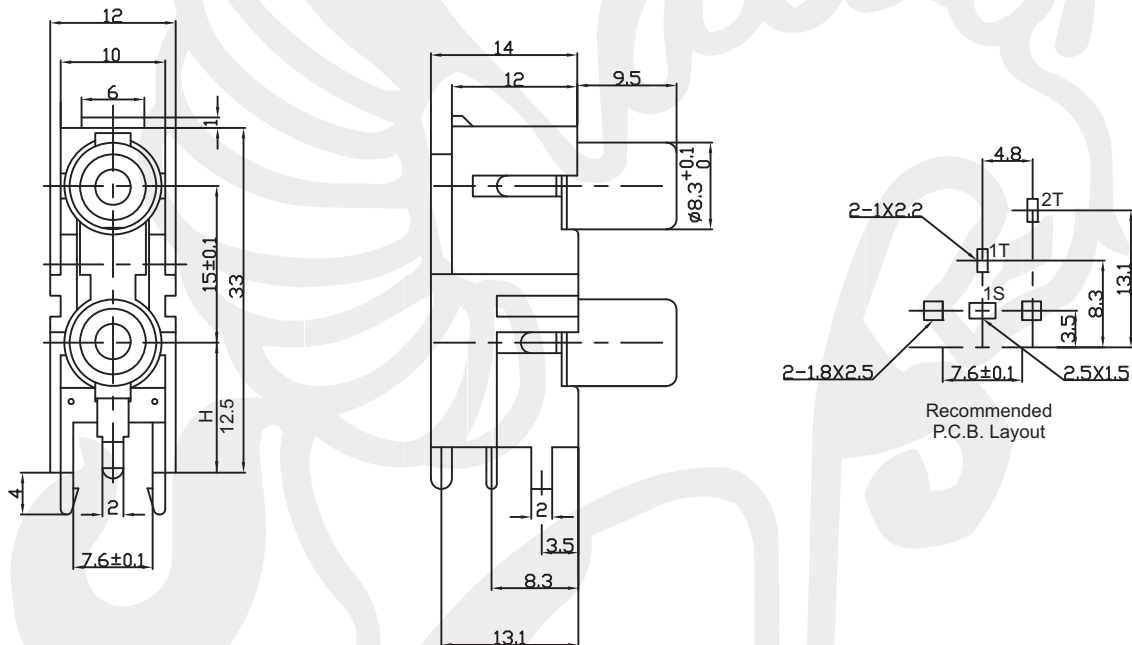
Electrical

Rating: 0.2 Amp @ 50 VDC
 Contact resistance: 30 mΩ max.
 Insulator resistance: 100 MΩ min.
 Dielectrical withstanding: 500 VAC/minute
 Operating temperature: -40°C ~ +70°C
 Durability: 500 cycles

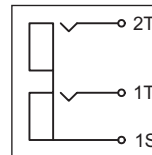
43248Z



43248Z



Code	A	B
01	white	red
02	red	white
03	yellow	red
04	red	yellow
05	yellow	green
06	orange	orange
07	blue	red
08	green	blue
09	black	black
10	yellow	white
11	t.b.d. by customer	



Tolerances	
Linear	<6 ± 0.1 6-20 ± 0.2 >20 ± 0.3



All dim. in mm

43248 Z — **01**

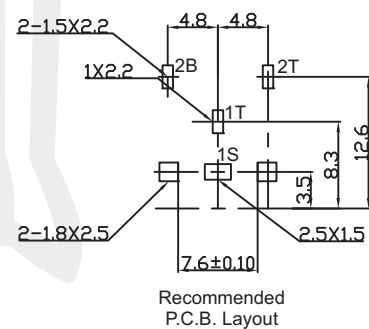
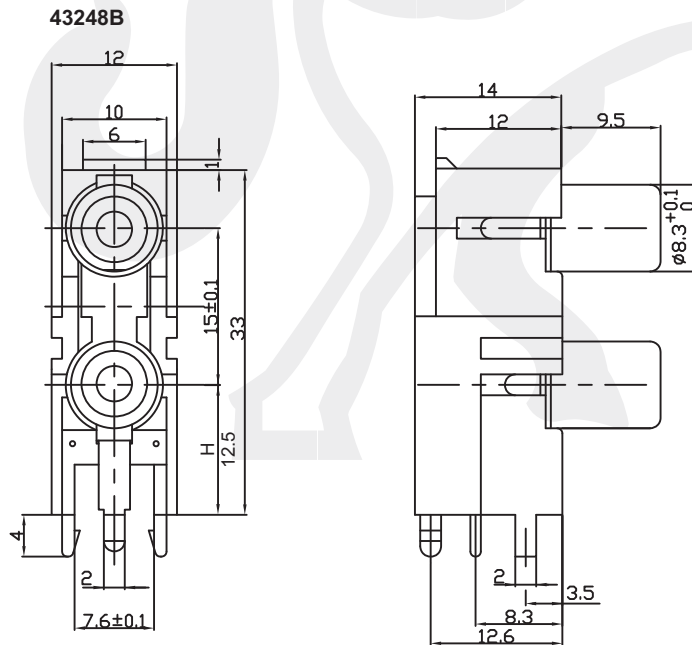
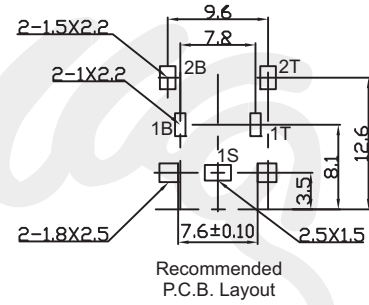
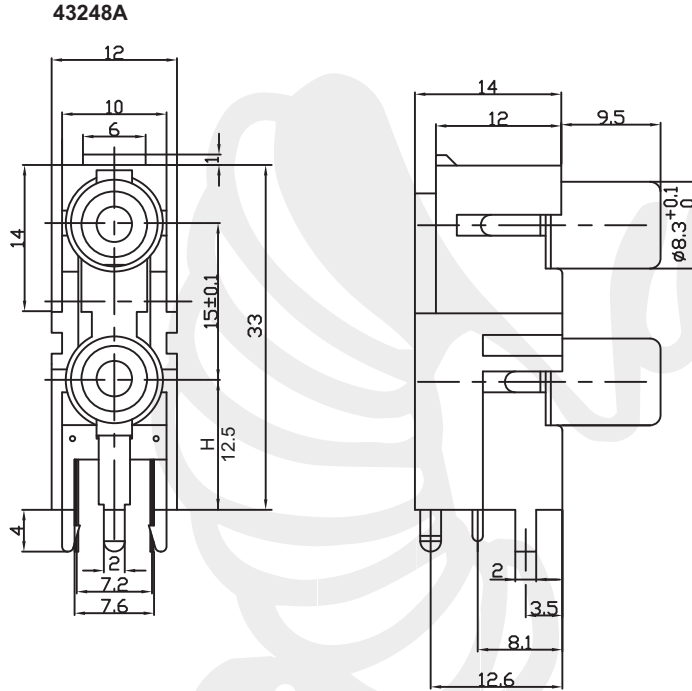
Series
 43248Z
 43248A with switch
 43248B with switch

Color code
 see table

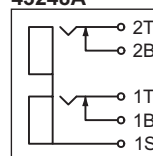
Packing
 Box

Series 43248 2x RCA Jack / Cinch Vertical

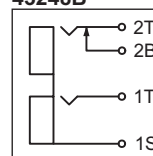
This document is protected by copyright law and international treaties. Reproduction except for personal use and distribution of this document will be prosecuted to the maximum extent possible under the law. Subject to changes without prior notice. Errors and omissions excepted. Copyright by NEXUS COMPONENTS GmbH



43248A



43248B



Tolerances	
Linear	<6 ± 0.1
	6-20 ± 0.2
	>20 ± 0.3



All dim. in mm