

5643 Series

M12 Front Fastened Panel Mount Straight THT

General specifications

Insulator material	Nylon 66 UL94V-0, color: black
Contact material	Brass, plating: gold
Nut/Screw material	Brass, plating: nickel
Current rating, voltage rating	see table
Contact resistance	5 mΩ max.
Insulator resistance	100 MΩ min.
Dielectrical withstanding	500 VAC for 1 min
Operating temperature	-40 °C to +100 °C
IP-Rating	IP 65
Soldering	Lead free wave soldering process

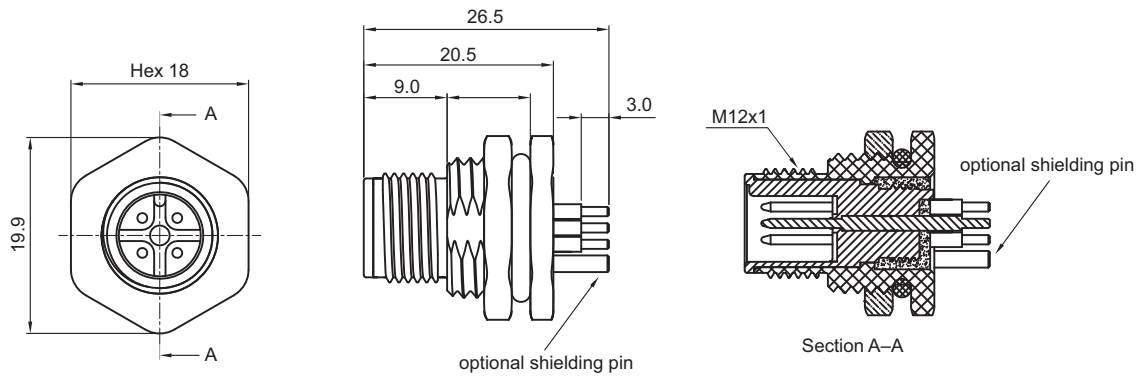
Mating parts series



Mechanical dimensions

5643P

Unit: mm

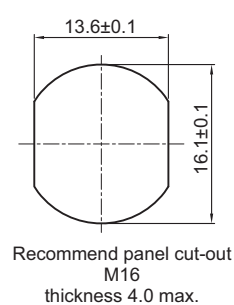
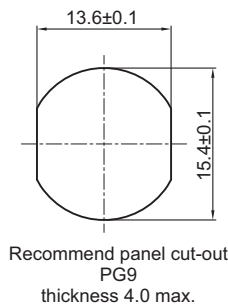


Pin assignments front view

	2 pin	3 pin	4 pin	5 pin	6 pin	7 pin	8 pin	9 pin	10 pin	11 pin	12 pin
A-coding											
D-coding											

Electrical specification

Pins	Current rating	Voltage rating
02	4.0 A	250 V AC/DC
03	4.0 A	250 V AC/DC
04	4.0 A	250 V AC/DC
05	4.0 A	60 V AC/DC
06	2.0 A	30 V AC/DC
07	2.0 A	30 V AC/DC
08	2.0 A	30 V AC/DC
09	1.5 A	30 V AC/DC
10	1.5 A	30 V AC/DC
11	1.5 A	30 V AC/DC
12	1.5 A	30 V AC/DC



continued on page 2

Tolerances	
Linear	.X ± 0.3 .XX ± 0.2

Part numbering guide

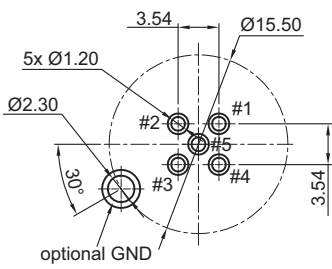
5643 P	02	A	1	0	Y
Series P = Plug S = Socket	No. of contacts 02 to 12	Coding A = A-coding D = D-coding (2 to 5 pin only)	Panel lock thread 1 = PG9 2 = M16	Shielding pin 0 = w/o shielding pin 1 = w/ shielding pin	Packing Y = Tray

* standard

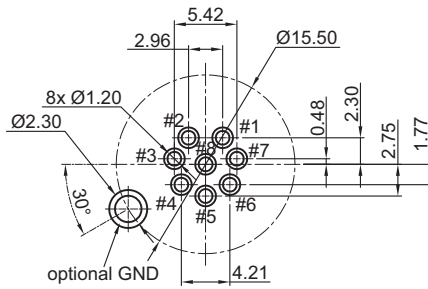


Mechanical dimensions

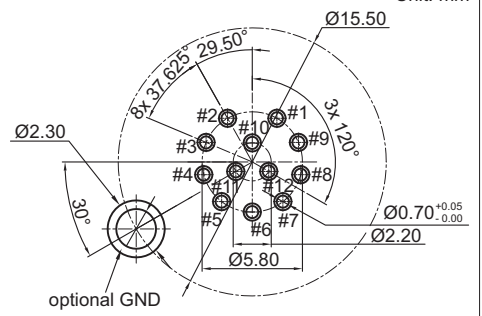
Unit: mm



Recommended P.C.B. layout
2 to 5 pin
tolerance ±0.05

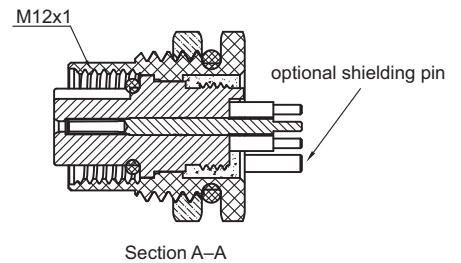
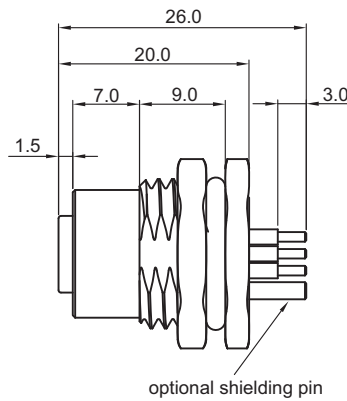
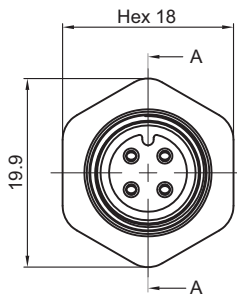


Recommended P.C.B. layout
6 to 8 pin
tolerance ±0.05



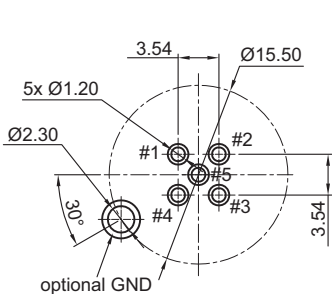
Recommended P.C.B. layout
9 to 12 pin
tolerance ±0.05

5643S

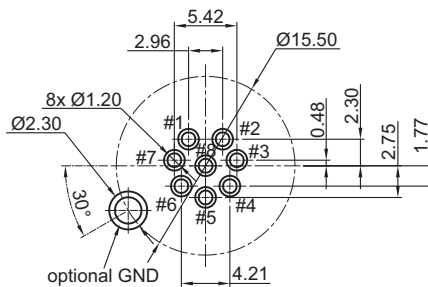


Pin assignments front view

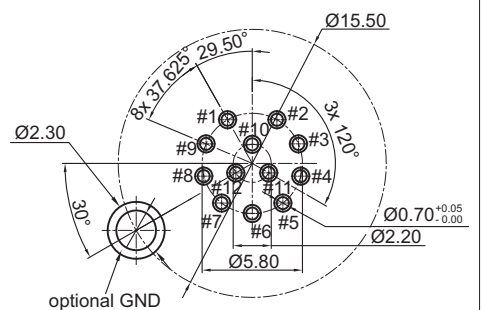
	2 pin	3 pin	4 pin	5 pin	6 pin	7 pin	8 pin	9 pin	10 pin	11 pin	12 pin
A-coding											
D-coding											



Recommended P.C.B. layout
2 to 5 pin
tolerance ±0.05



Recommended P.C.B. layout
6 to 8 pin
tolerance ±0.05



Recommended P.C.B. layout
9 to 12 pin
tolerance ±0.05

Tolerances

Linear	X	± 0.3
	XX	± 0.2

