

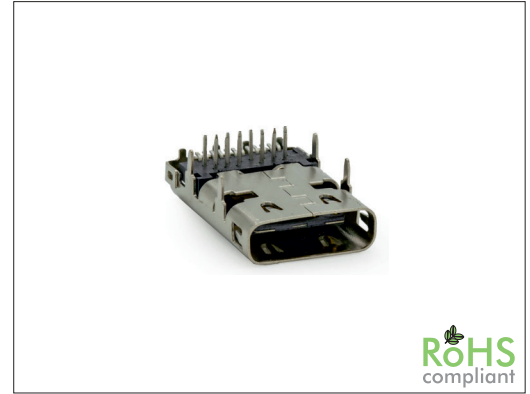
# 3831 Series

# USB C-Type 2x12 Pin Socket

## General specifications

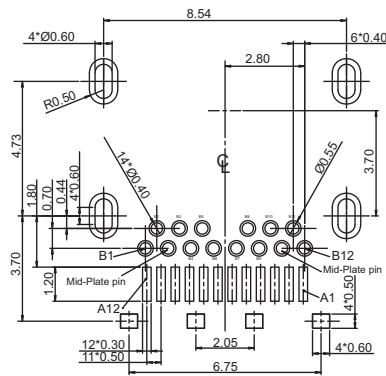
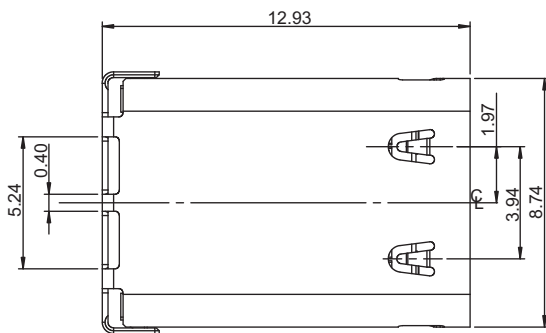
Insulator material	LCP, color: black
Contact material	Brass
Current rating	3 A
Voltage rating	20 V AC/DC
Insulator resistance	100 MΩ min.
Dielectrical withstanding	100 VAC for 1 min
Operating temperature	-25 °C to +105 °C
Durability	10000 cycles
Soldering	Lead free wave soldering process

## Mating parts series

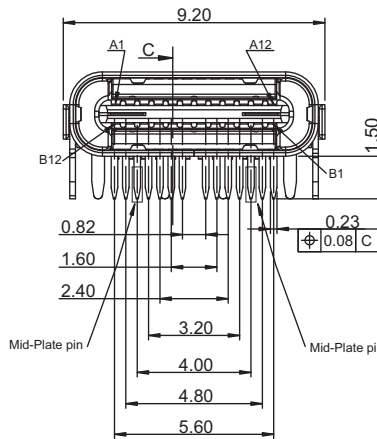
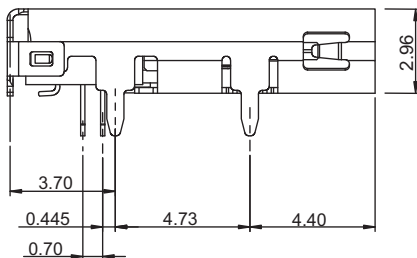


## Mechanical dimensions

Unit: mm



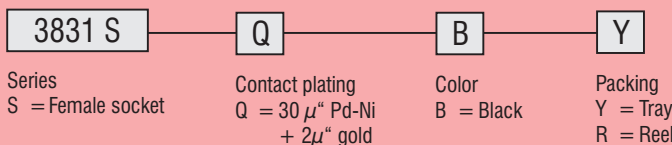
Recommended P.C.B. layout tolerances: ±0.05



Pin no.	Signal name	Pin no.	Signal name
A1	GND	B12	GND
A2	SSTXp1	B11	SSRXp1
A3	SSTXn1	B10	SSRXn1
A4	Vbus	B9	Vbus
A5	CC1	B8	SBU2
A6	Dp1	B7	Dn2
A7	Dn1	B6	Dp2
A8	SBU1	B5	CC2
A9	Vbus	B4	Vbus
A10	SSRXn2	B3	SSTXn2
A11	SSRXp2	B2	SSTXp2
A12	GND	B1	GND

Tolerances		
Linear	X	± 0.30
	.XX	± 0.20

## Part numbering guide



\* standard

