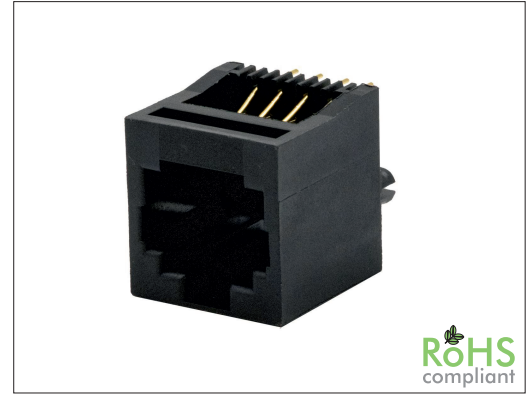


64131 Series RJ45 8P Top Entry

General specifications

Insulator material	PBT, UL94V-0, color: black
Contact material	Phosphor bronze, plating: gold over nickel
Current rating	1.5 A
Voltage rating	125 VAC
Contact resistance	35 mΩ max.
Insulator resistance	1000 MΩ min. @ 500 VDC
Dielectrical withstandig	1000 VAC for 1 min
Operating temperature	-40 °C to +85 °C
Soldering	JEDEC lead free wave soldering process
Durability	750 cycles

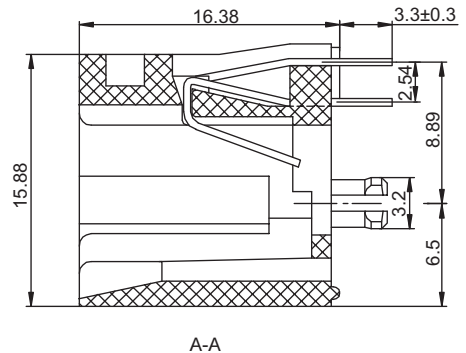
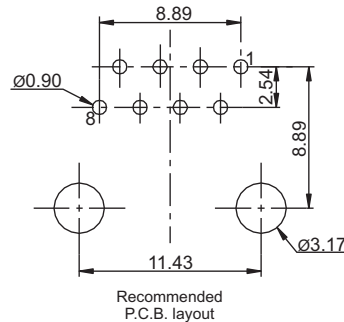
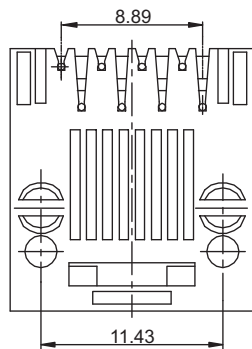
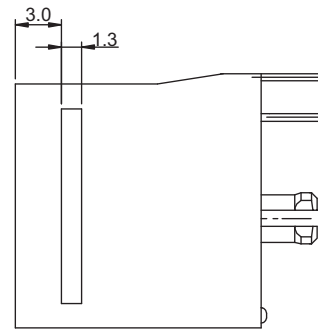
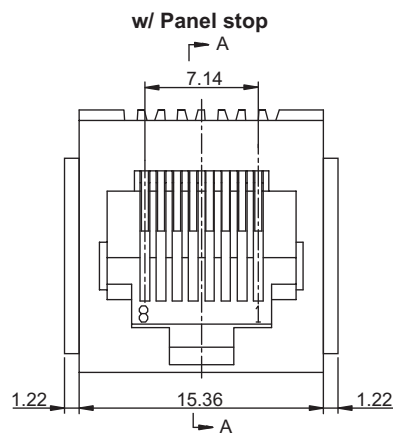
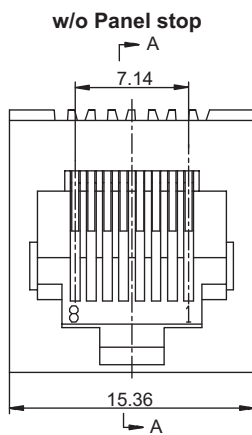
Mating parts series



RoHS
compliant

Mechanical dimensions

Unit: mm



Tolerances		
Linear	X	± 0.25
	.XX	± 0.15

Part numbering guide

64131	C	0
Series RJ45 8P	Contact plating C = 3 μ" gold D = 6 μ" gold F = 15 μ" gold J = 30 μ" gold K = 50 μ" gold	Panel stop 0 = w/o stop 1 = w/ stop

* standard

