

5104 Series

SMT Battery Holder for CR2032

General specifications

Insulator material	High temperature thermoplastic, UL94V-0, color: black
Contact material	Copper alloy
Current rating	2 A
Voltage rating	500 VAC
Contact resistance	30 mΩ max.
Insulator resistance	1000 MΩ min.
Dielectrical withstanding	500 VAC for 1 min
Operating temperature	-55 °C to +85 °C
Soldering	JEDEC lead free reflow soldering process

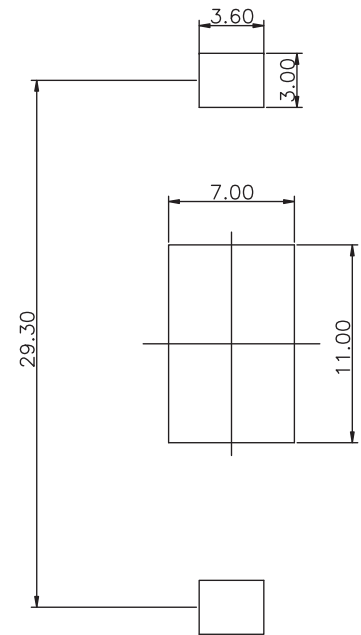
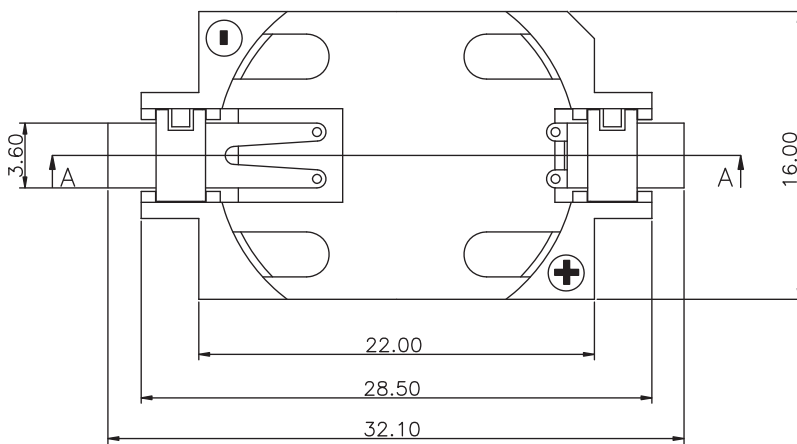
Mating parts series



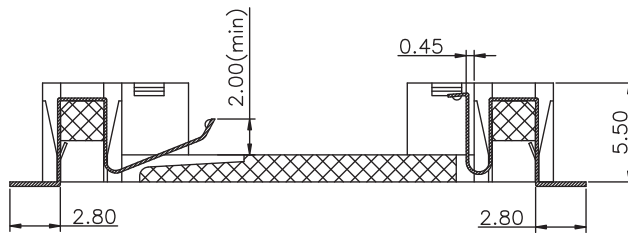
RoHS
compliant

Mechanical dimensions

Unit: mm



Recommended P.C.B. layout
top view



Section A-A

Tolerances		
Linear	.X	± 0.30
	.XX	± 0.20

Part numbering guide

5104 — B

Series

Contact plating
B = Flashgold

* standard

