

# 3856 Series

# Mini USB B-Type 5 Pin Top Entry

## General specifications

Insulator material	LCP w/ 30% glass fiber, UL94V-0, color: black
Contact material	Phosphor bronze, plating: gold over nickel
Current rating	1 A
Voltage rating	30 VAC
Contact resistance	50 mΩ max.
Insulator resistance	100 MΩ min.
Dielectrical withstanding	100 VAC for 1 min
Operating temperature	-55 °C to +85 °C
Soldering	Lead free wave soldering process
Durability	1500 cycles

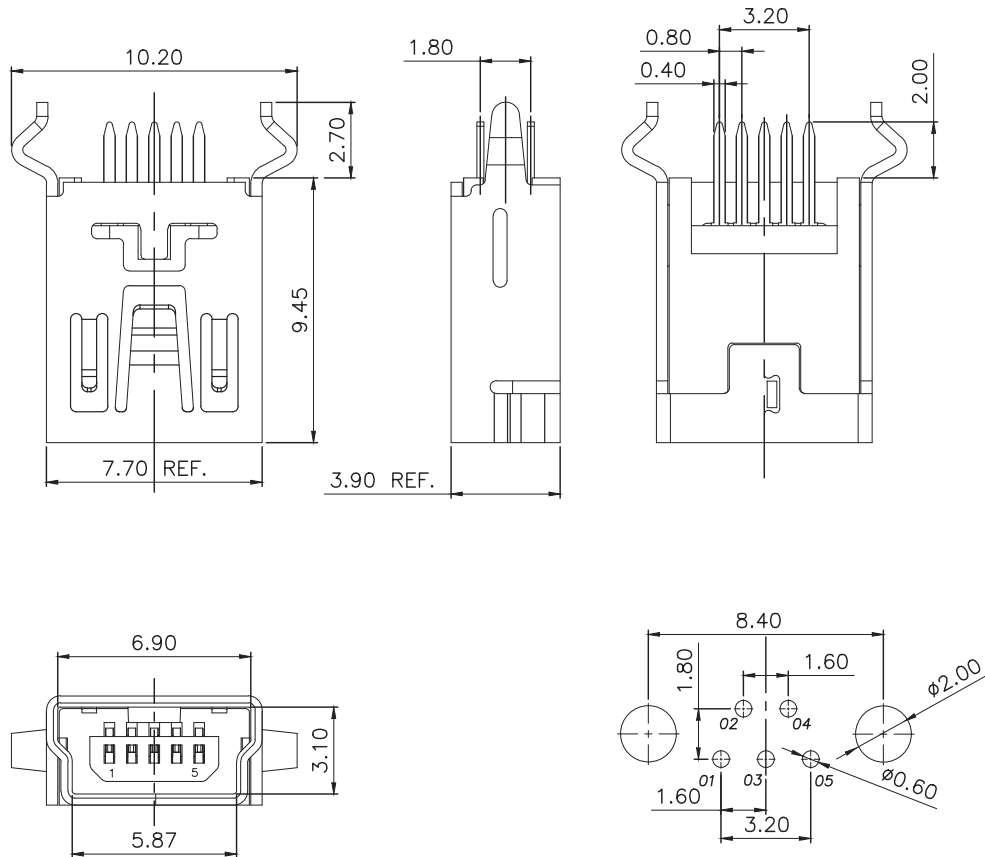
## Mating parts series



RoHS  
compliant

## Mechanical dimensions

Unit: mm



Recommended P.C.B. layout

### Tolerances

Linear	X	± 0.20
	.XX	± 0.15
	.XXX	± 0.05

## Part numbering guide

3856	S	B	B	Y
Series	Contact plating	Color	Packing	
S = THT straight	B = Flashgold J = 30 μm gold	B = Black	Y = Tray	

\* standard

