

67322 Series RJ45 8P LED Side Entry Shielded

General specifications

Insulator material	High temperature thermoplastic, UL94V-0, color: black
Contact material	Phosphor bronze, plating: gold
Current rating	1.5 A
Voltage rating	125 VAC
Contact resistance	30 mΩ max.
Insulator resistance	1000 MΩ min. @ 500 VCD
Dielectrical withstanding	1000 VAC for 1 min
Operating temperature	-40 °C to +85 °C
Soldering	JEDEC lead free wave soldering process
Durability	750 cycles

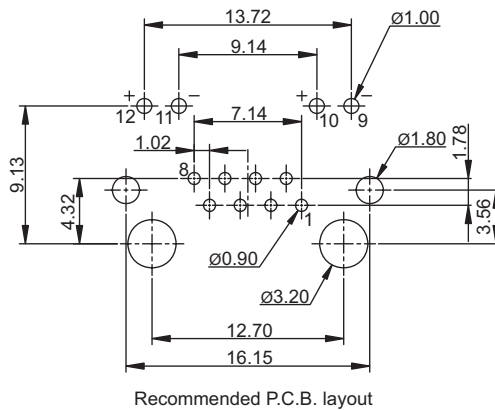
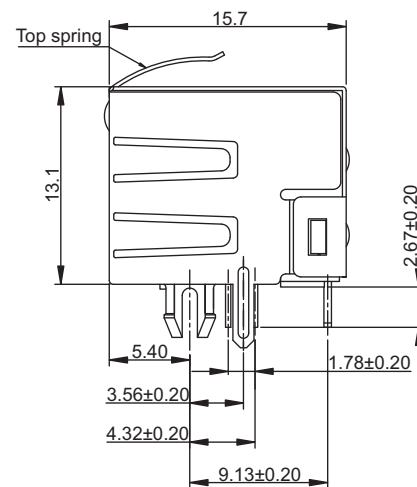
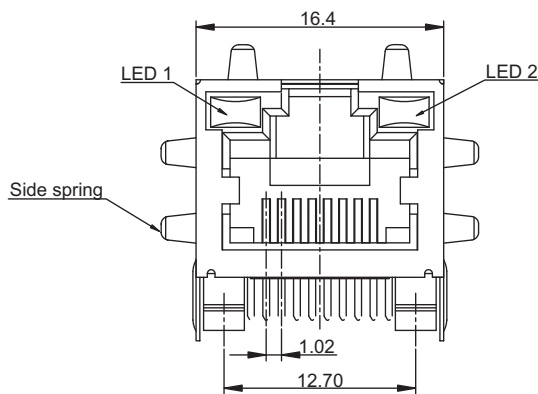
Mating parts series



RoHS
compliant

Mechanical dimensions

Unit: mm



Tolerances		
Linear	X	± 0.20
	.XX	± 0.15

Part numbering guide

67322	C	G	Y	0
Series	Contact plating C = 3 μ" gold D = 6 μ" gold F = 15 μ" gold J = 30 μ" gold	Color LED1 D = Green/Yellow G = Green R = Red Y = Yellow	Color LED2 K = 50 μ" gold	Ground spring 0 = w/o spring 1 = top spring 2 = side spring 3 = top and side spring

* standard

