

5800 Series

SMT DC Jack Pin 0.65 mm

General specifications

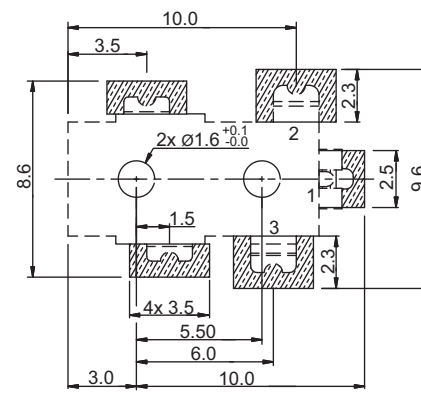
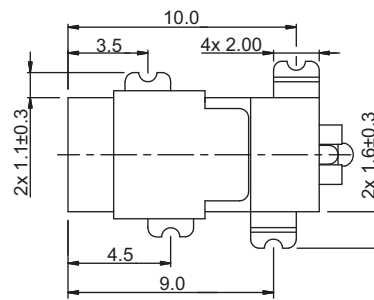
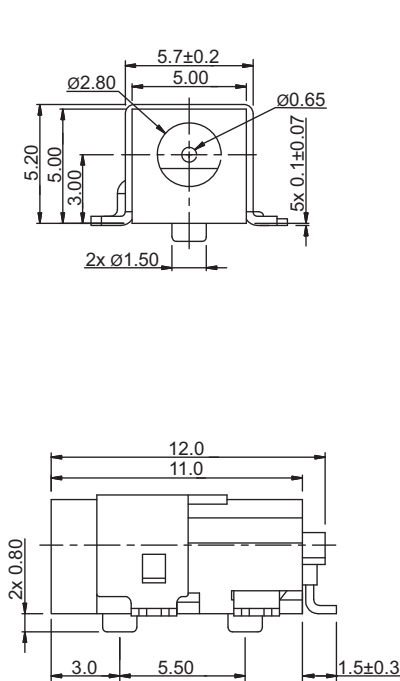
Insulator material	Nylon PA6T, UL94V-0
Contact material	Copper alloy, plating: silver
Shield material	Cold rolled steel, plating: nickel
Current rating	0.5 A
Voltage rating	30 VDC
Insulator resistance	100 MΩ min. @ 500 VDC
Contact resistance	30 mΩ max.
Dielectrical withstanding	500 VAC for 1 min
Durability	5000 cycles
Soldering	JEDEC lead free reflow soldering process

Mating parts series



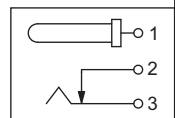
Mechanical dimensions

Unit: mm



Recommended P.C.B. layout top view

Tolerances	
Linear	<6 ± 0.20
	6 to 20 ± 0.30
	>20 ± 0.40



Part numbering guide

5800

A

Series

Contact
A = 0.65 mm

* standard

