

# 67380 Series RJ45 8P LED Board-In

## General specifications

Insulator material	Nylon PA46, UL94V-0
Contact material	Phosphor bronze, plating: gold
Current / voltage rating	1.0 A / 150 VAC
Contact resistance	50 mΩ max
Insulator resistance	200 MΩ min.
Dielectrical withstanding	1000 VAC for 1 min.
Durability	750 cycles
Operation temperature	-40 °C to +85 °C
Soldering	Lead free wave soldering process

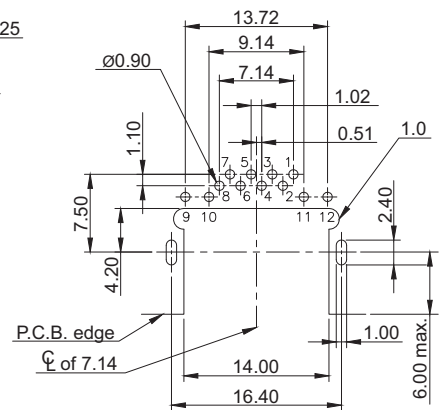
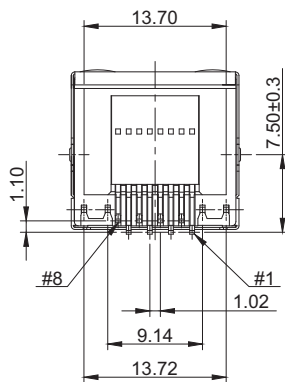
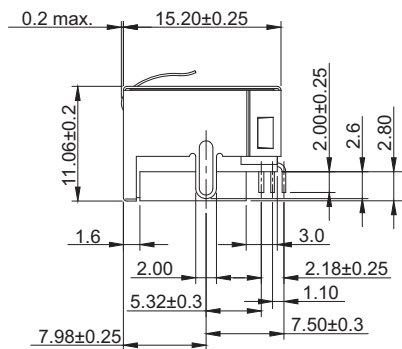
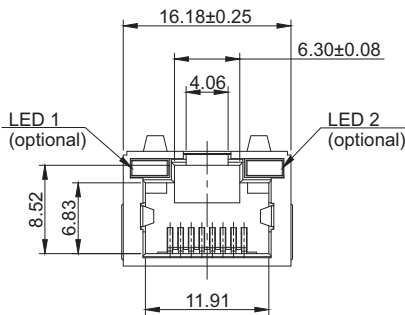
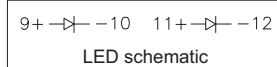
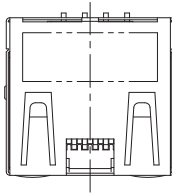
## Mating parts series



## Mechanical dimensions

Unit: mm

### Peg Type A



Recommended P.C.B. layout, top view  
thickness: 1.2, tolerances: ±0.05

### Tolerances

Linear	X	± 0.25
	.XX	± 0.20
	.XXX	± 0.10

continued on page 2

## Part numbering guide

67380

C

G

Y

0

A

Series

Contact plating

C = 3 μ" gold K = 50 μ" gold  
D = 6 μ" gold  
F = 15 μ" gold  
J = 30 μ" gold

Color LED1

D = Green/yellow  
G = Green  
R = Red  
Y = Yellow

Color LED2

N = w/o LED

Ground spring

0 = w/o spring  
1 = Top spring  
2 = Side spring  
3 = Top and side spring

Ground peg

A = Ground peg A  
B = Ground peg B

\* standard

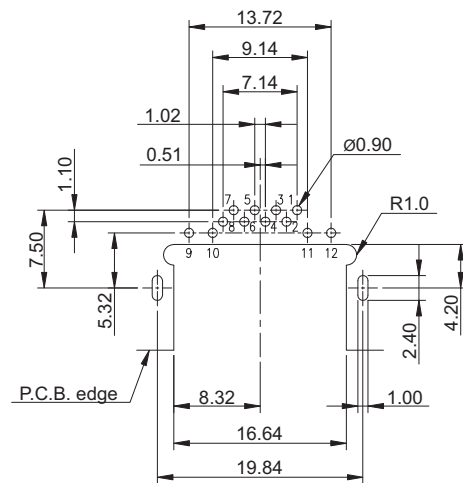
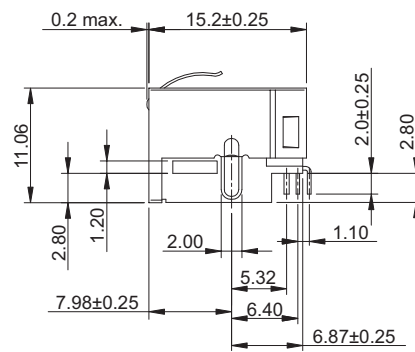
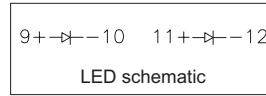
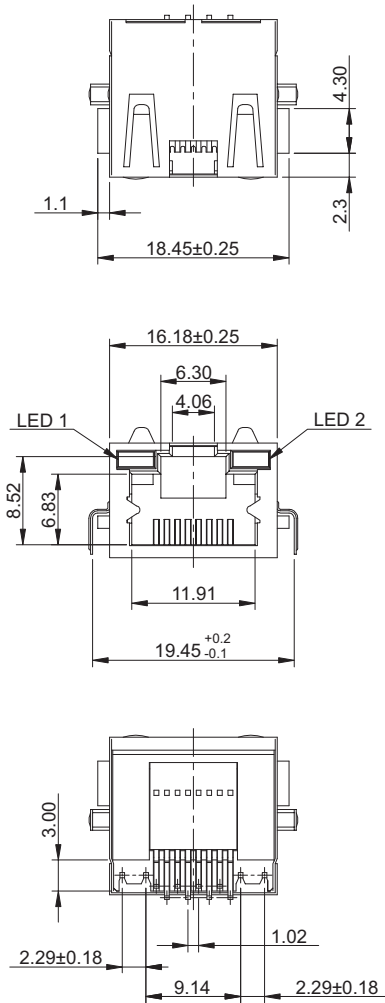


# 67380 Series RJ45 8P LED Board-In

## Mechanical dimensions

Unit: mm

### Peg Type B



Recommended P.C.B. layout, top view  
thickness: 1.6, tolerances: ±0.05

#### Tolerances

Linear	X	± 0.25
	.XX	± 0.20
	.XXX	± 0.10

