

# 3205 Series

# SCSI Pin Type IDC Female

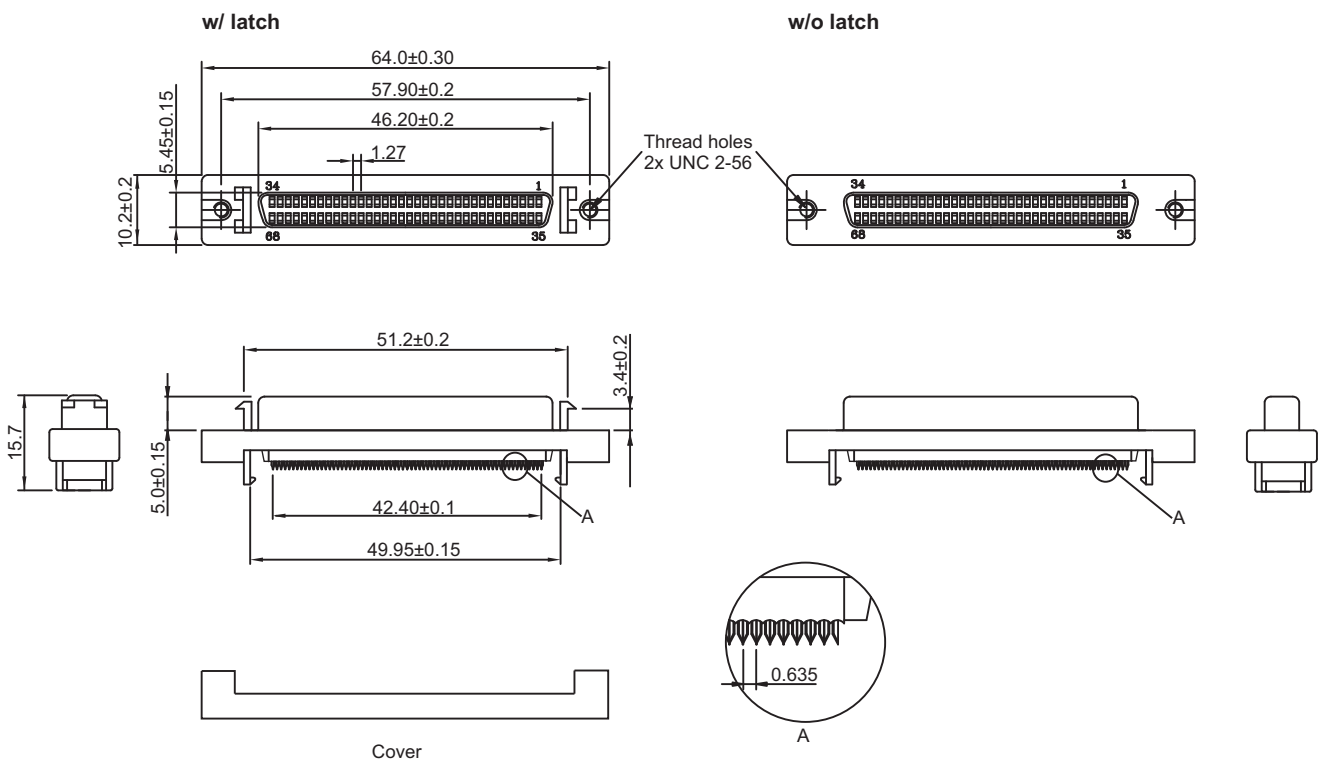
## General specifications

Insulator material	PBT, UL94V-0
Contact material	Phosphor bronze
Shell/ bracket	Steel, plating: nickel over copper
Current rating	1 A
Contact resistance	35 mΩ max.
Insulator resistance	500 MΩ min.
Dielectrical withstanding	500 VAC for 1 min
Operating temperature	-55 °C to +105 °C
<b>Mating parts series</b>	
3203-M, 3204-M	



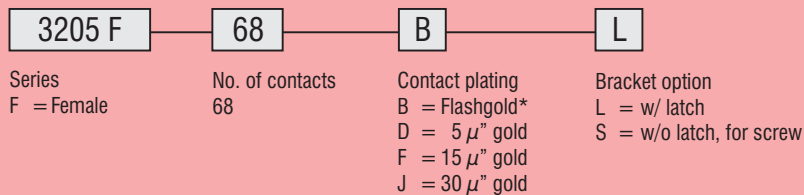
## Mechanical dimensions

Unit: mm



Tolerances		
Linear	X.	± 0.30
	X	± 0.25
	.XX	± 0.15

## Part numbering guide



\* standard

