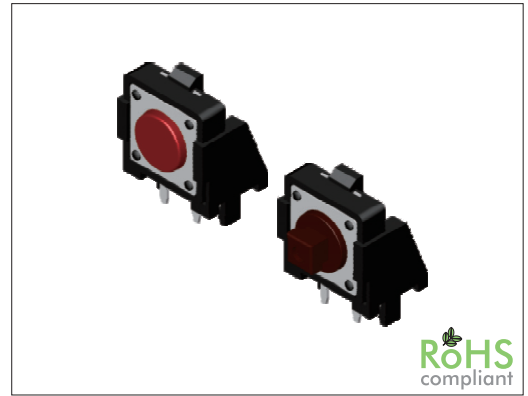


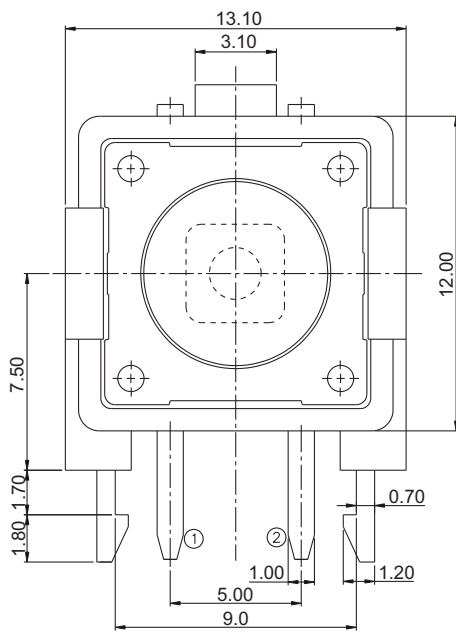
# SW-DTSA Series Tactile Microswitch 12 x 12 mm Right Angle

General specifications	
Housing material	Nylon, UL94V-0, color: black
Actuator material	Nylon, UL94V-0
Contact material	Phosphor bronze, plating: silver
Current rating	50 mA
Voltage rating	12 VDC
Contact resistance	100 mΩ max.
Insulator resistance	100 MΩ min. @ 500 VDC
Dielectrical withstanding	250 VAC for 1 min
Operating temperature	-25 °C to +70 °C
Operating force	see table
Durability	see table
Soldering	Lead free wave soldering process

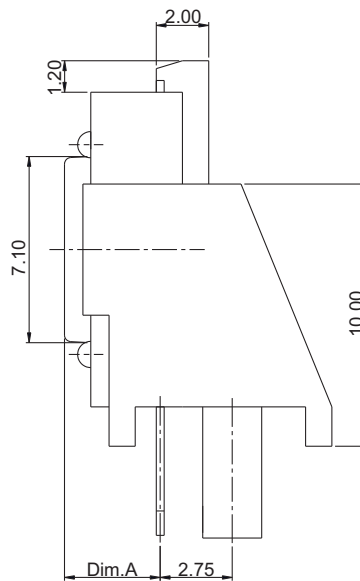


## Mechanical dimensions

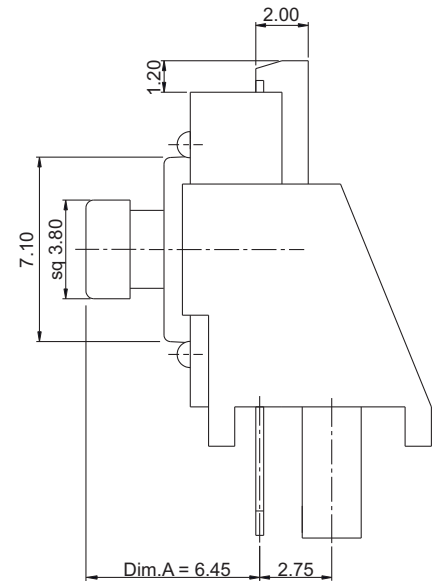
Unit: mm



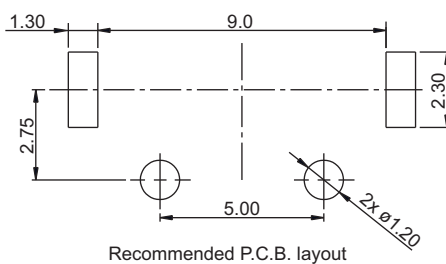
SW-DTSA21..., SW-DTSA25...



SW-DTSA24...



with square actuator for knob

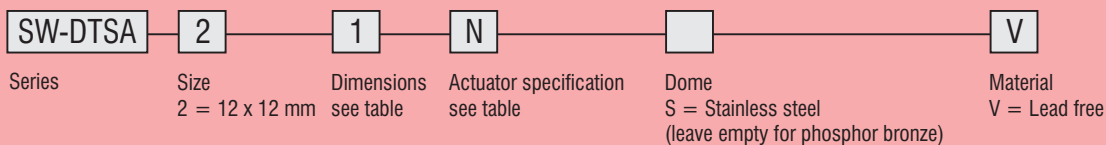


Ordercode dimensions	
Index	Dim. A
1	3.65
4	6.45
5	7.85

Tolerances	
Linear	± 0.20

		Actuator specification			
Code	Color	Operating force	Stroke	Durability Phosphor bronze dome	Durability Stainless steel dome
N	Brown	160±50 gf	0.35	200000 cycles	1000000 cycles
R	Red	260±50 gf	0.35	100000 cycles	500000 cycles
S	Salmon	320±80 gf	0.35	100000 cycles	300000 cycles
Y	Yellow	520±130 gf	0.35	100000 cycles	300000 cycles

## Part numbering guide



\* standard

