

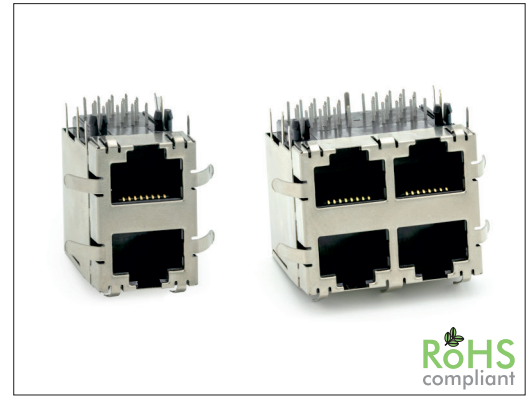
6497X Series

Multiport RJ45 8P Side Entry Shielded

General specifications

Insulator material	Thermoplastic, UL94V-0, color: black
Contact material	Phosphor bronze
Current rating	1 A
Voltage rating	125 VAC
Contact resistance	50 mΩ max.
Insulator resistance	200 MΩ min.
Dielectrical withstanding	1000 VAC for 1 min
Operating temperature	-40 °C to +85 °C
Soldering	Lead free wave soldering process
Durability	750 cycles

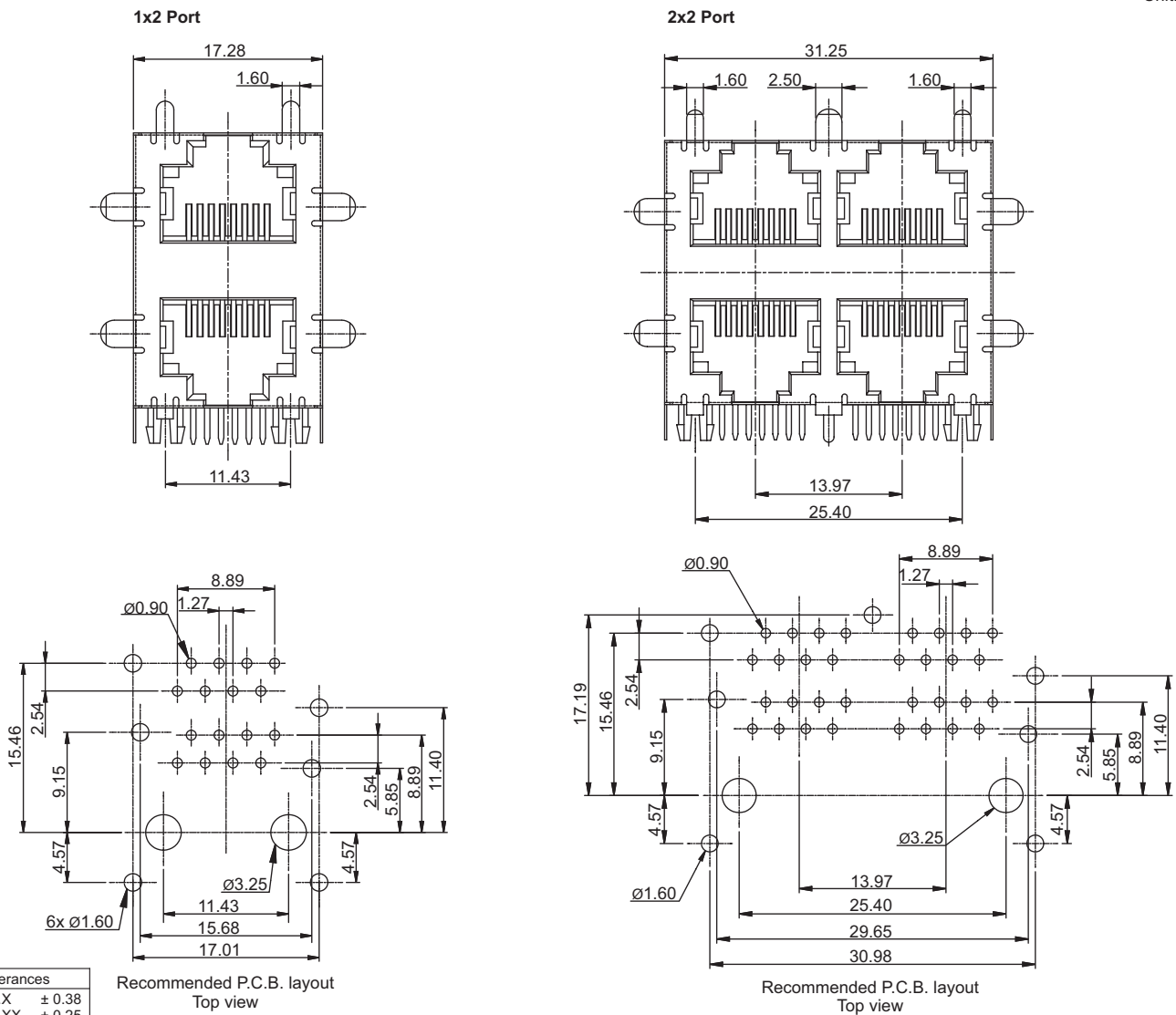
Mating parts series



RoHS
compliant

Mechanical dimensions

Unit: mm



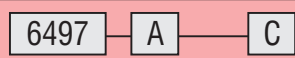
Tolerances		
Linear	X	± 0.38
	.XX	± 0.25
	.XXX	± 0.10

Recommended P.C.B. layout
Top view

Recommended P.C.B. layout
Top view

continued on page 2

Part numbering guide



Series Ports Contact plating
 A = 1x2 C = 3 μ" gold K = 50 μ" gold
 B = 2x2 D = 6 μ" gold
 F = 15 μ" gold
 J = 30 μ" gold

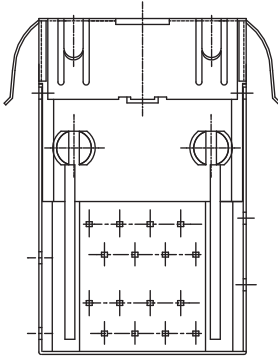
* standard



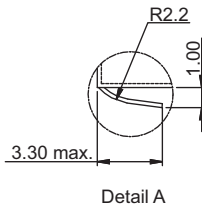
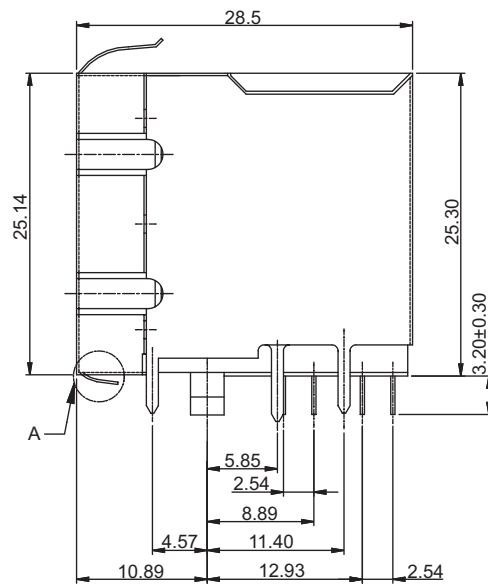
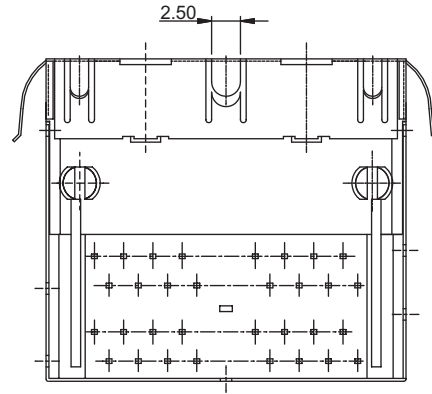
Mechanical dimensions

Unit: mm

1x2 Port



2x2 Port



Tolerances		
Linear	X	± 0.38
	.XX	± 0.25
	.XXX	± 0.10

