

General specifications

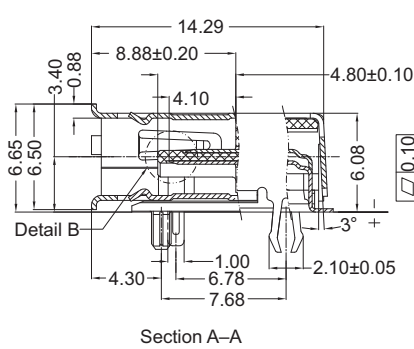
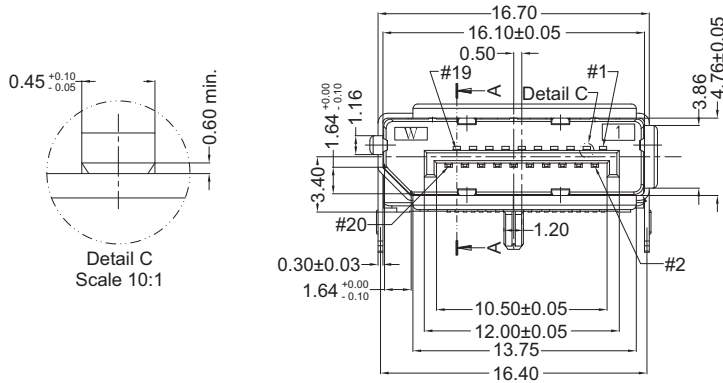
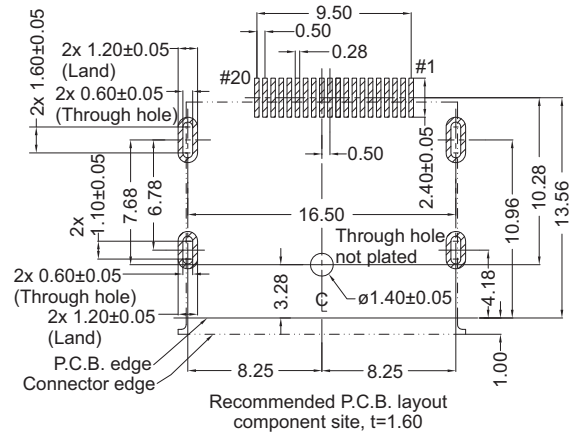
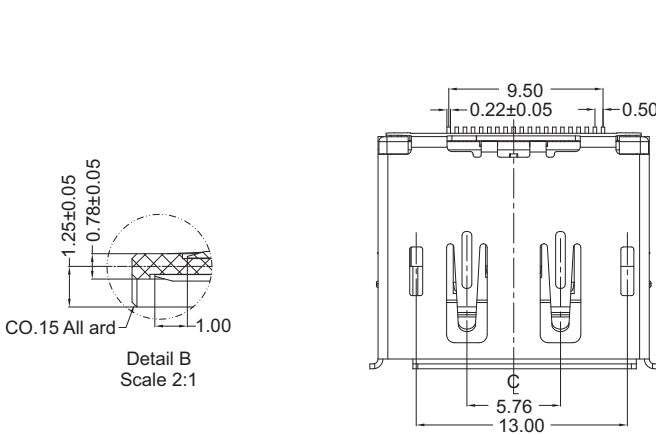
Insulator material	LCP, UL94V-0, color: black
Contact material	Brass
Current rating	0.5 A
Voltage rating	40 VAC
Contact resistance	30 mΩ max.
Insulator resistance	100 MΩ min.
Dielectrical withstanding	500 VDC for 1 min
Operating temperature	-20 °C to +85 °C
Soldering	JEDEC lead free reflow soldering process

Mating parts series



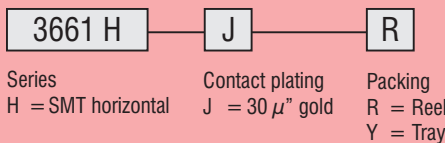
Mechanical dimensions

Unit: mm



Tolerances		
Linear	X	± 0.35
	XX	± 0.25
	XXX	± 0.15

Part numbering guide



* standard

