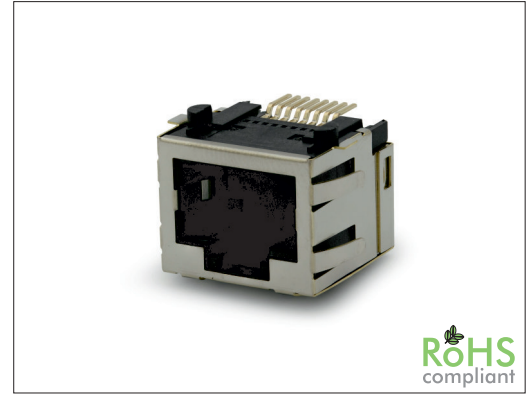


64210 Series SMT RJ45 8P Side Entry Shielded

General specifications

Insulator material	PA9T, UL94V-0, color: black
Contact material	Phosphor bronze, plating: gold over nickel
Current rating	1.5 A
Voltage rating	125 VAC
Contact resistance	45 mΩ max.
Insulator resistance	1000 MΩ min.
Dielectrical withstandig	1000 VAC for 1 min
Operating temperature	-40 °C to +85 °C
Soldering	JEDEC lead free reflow soldering process
Durability	750 cycles

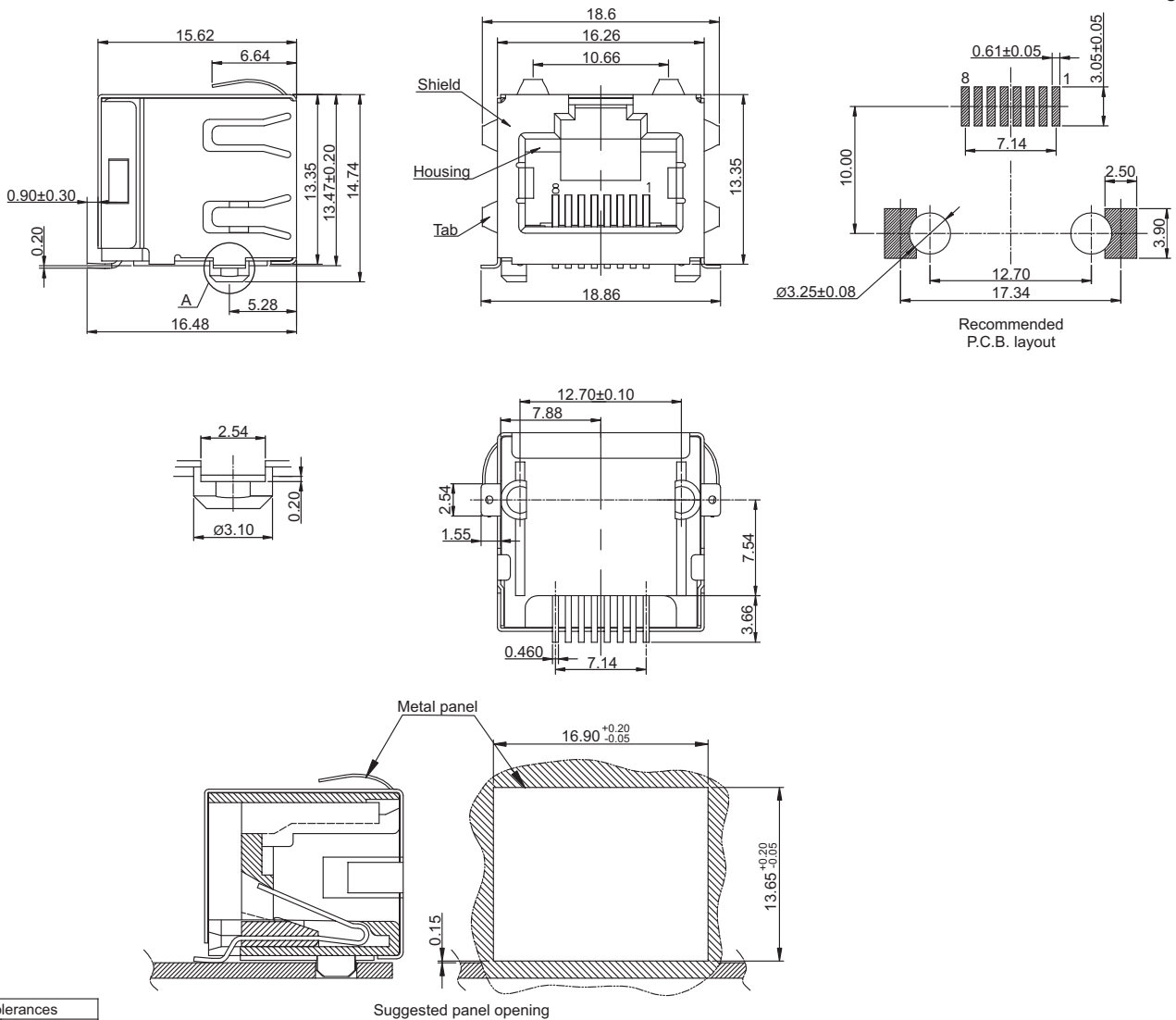
Mating parts series



RoHS
compliant

Mechanical dimensions

Unit: mm



Tolerances	
Linear	X ± 0.25
	.XX ± 0.20

Part numbering guide

64210	C	0
Series RJ45 8P	Contact plating C = 3 μ" gold D = 6 μ" gold F = 15 μ" gold	Ground spring 0 = w/o spring 1 = top spring 2 = side spring 3 = top + side spring

* standard

