

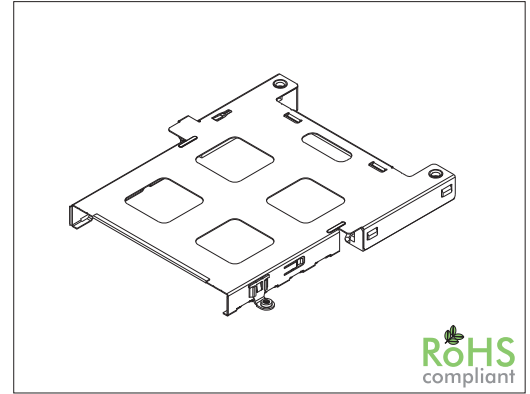
0152 Series

CFexpress Type C & D Socket

General specifications

Insulator material	High temperature thermoplastic, UL94V-0, color: black
Contact material	Copper alloy, plating: gold over nickel
Shell material	Steel
Current rating	0.5 A
Contact resistance	40 mΩ max.
Insulator resistance	1000 MΩ min. @ 500 VDC
Dielectrical withstanding	500 VAC for 1 min
Operating temperature	-20 °C to +85 °C
Durability	12000 cycles
Soldering	JEDEC lead free reflow soldering process

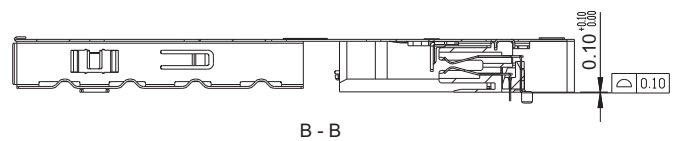
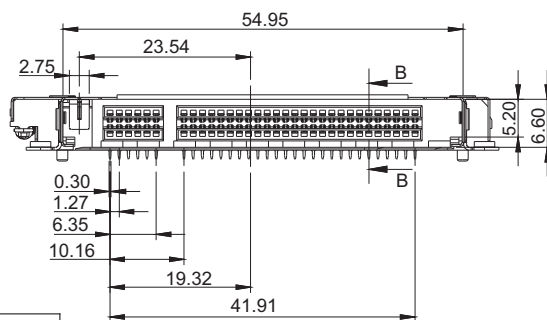
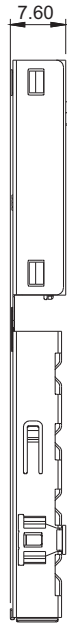
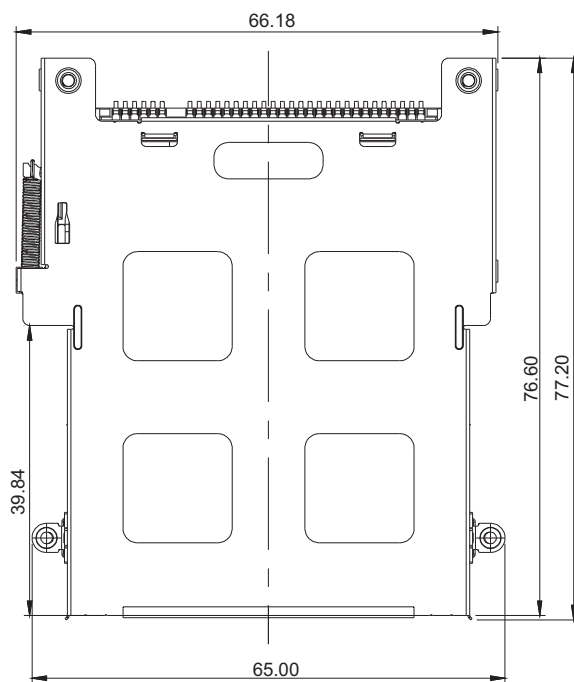
Mating parts series



RoHS
compliant

Mechanical dimensions

Unit: mm



B - B

Tolerances		
Linear	X.	± 0.50
	X	± 0.30
	.XX	± 0.20

continued on page 2

Part numbering guide

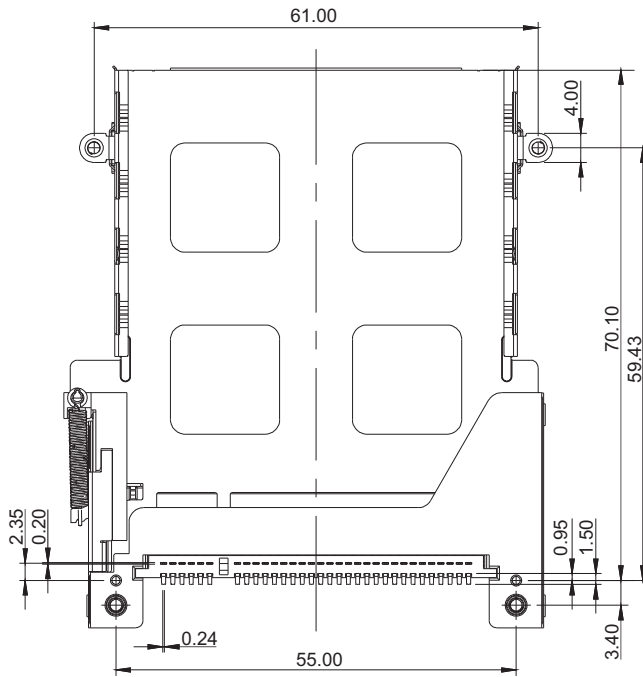
0152	F	4	Y
Series	Contact plating F = 15 μ" gold J = 30 μ" gold	Socket type 4 = Type C w/ 40 pins 6 = Type D w/ 64 pins	Packing Y = Tray

* standard

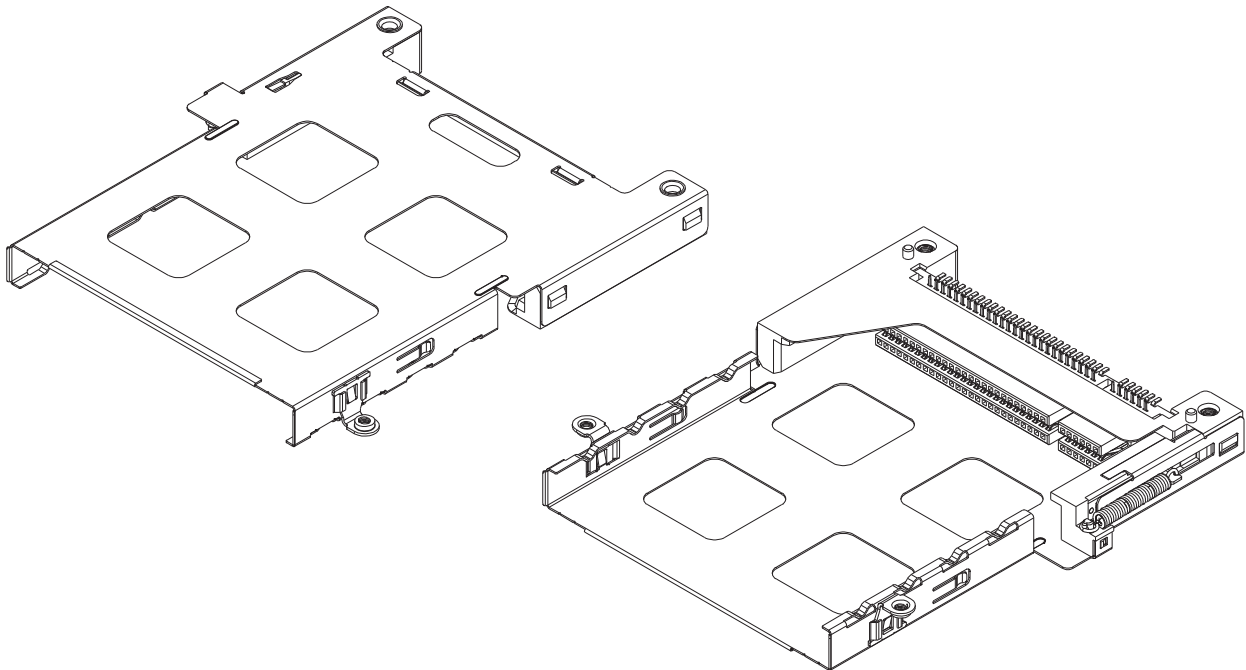
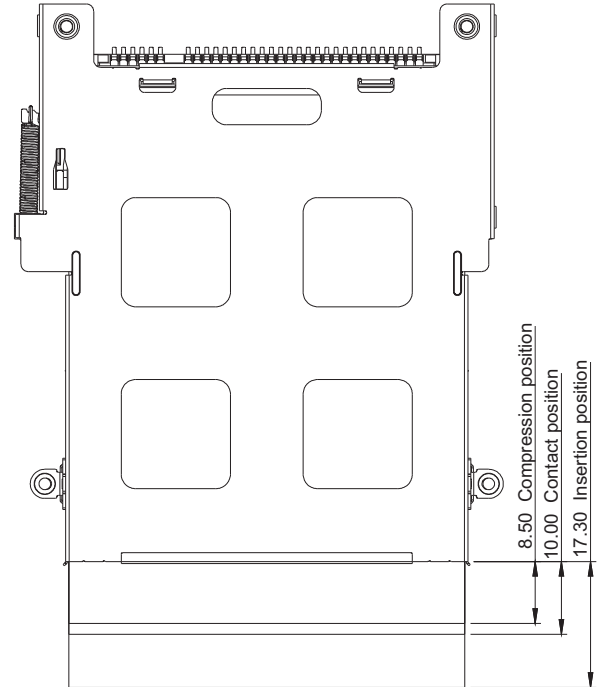


Mechanical dimensions

Unit: mm



Bottom view



Tolerances		
Linear	X	± 0.50
	.X	± 0.30
	.XX	± 0.20

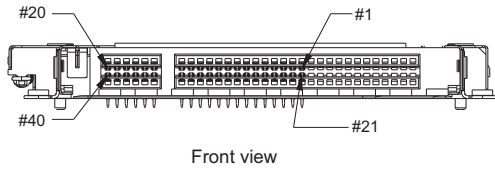
continued on page 3



Mechanical dimensions

Unit: mm

CFexpress type C socket



CFexpress type D socket

