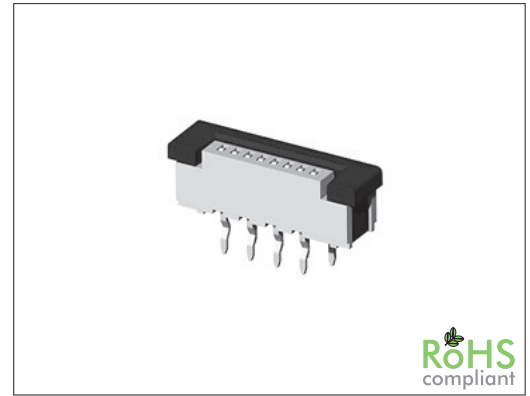


General specifications

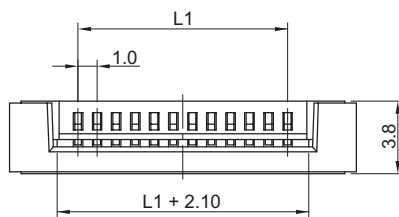
Insulator material	High temperature plastic, UL94V-0
Contact material	Copper alloy
Current rating	0.5 A
Voltage rating	100 V AC/DC
Contact resistance	30 mΩ max.
Insulator resistance	500 MΩ min.
Dielectrical withstanding	500 VAC for 1 min
Operating temperature	-40 °C to +105 °C
Soldering	Lead free wave soldering process

Mating parts series

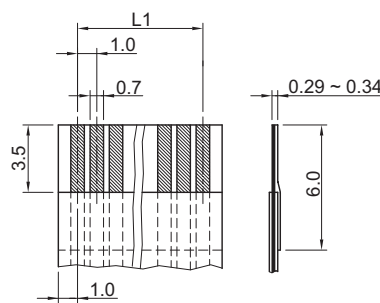
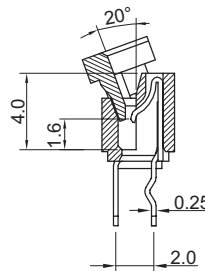
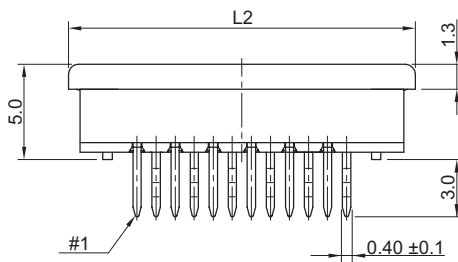
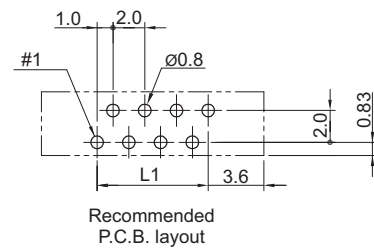


Mechanical dimensions

Unit: mm



Type A #1 bottom left



Accommodated FFC/FPC

$$L1 = (\text{No. of contacts} - 1) \times 1.00$$

$$L2 = \text{No. of contacts} \times 1.00 + 6.20$$

Tolerances		
Linear	X	± 0.38
	.XX	± 0.25

Part numbering guide

2983 S	04	T	A	T
Series S = THT straight	No. of contacts 04 to 32	Contact plating T = Tin	#1 position A = bottom left	Packing T = Tube

* standard

