

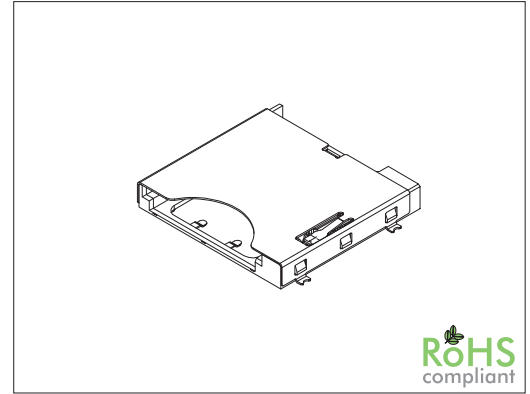
0150 Series

CFexpress Type A Socket

General specifications

Insulator material	LCP, UL94V-0, color: black
Contact material	Beryllium copper, plating: selective gold over nickel
Shell material	Stainless steel
Current rating	1.0 A signal pins / 3.0 A power pins
Contact resistance	55 mΩ max.
Insulator resistance	1000 MΩ min. @ 500 VDC
Dielectrical withstanding	500 VAC for 1 min
Operating temperature	-25 °C to +85 °C
Durability	12000 cycles
Soldering	JEDEC lead free reflow soldering process

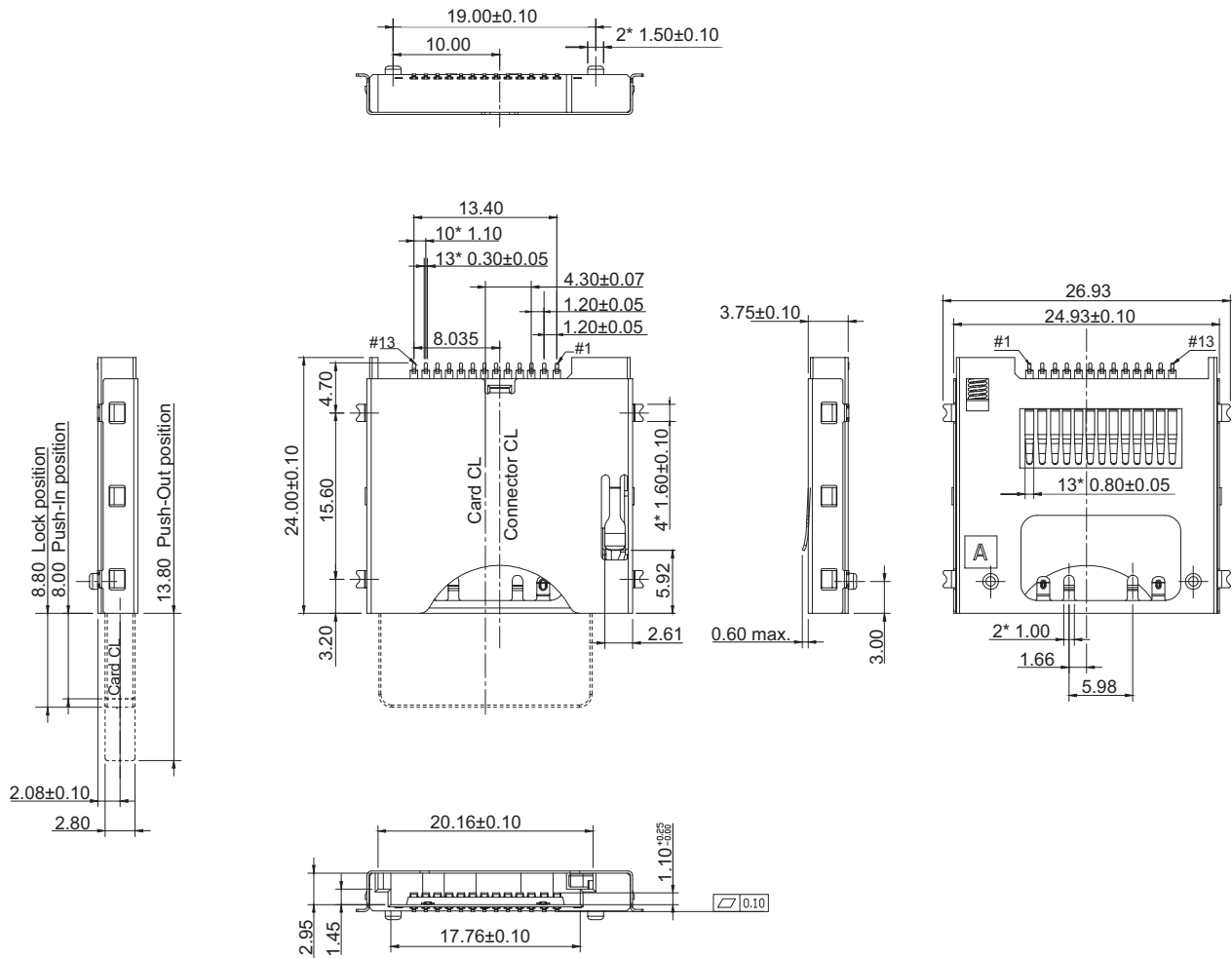
Mating parts series



RoHS
compliant

Mechanical dimensions

Unit: mm

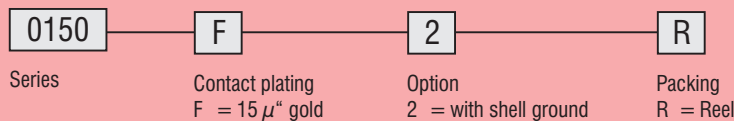


Tolerances

Linear	X.	± 0.50
	X	± 0.30
	.XX	± 0.20

continued on page 2

Part numbering guide

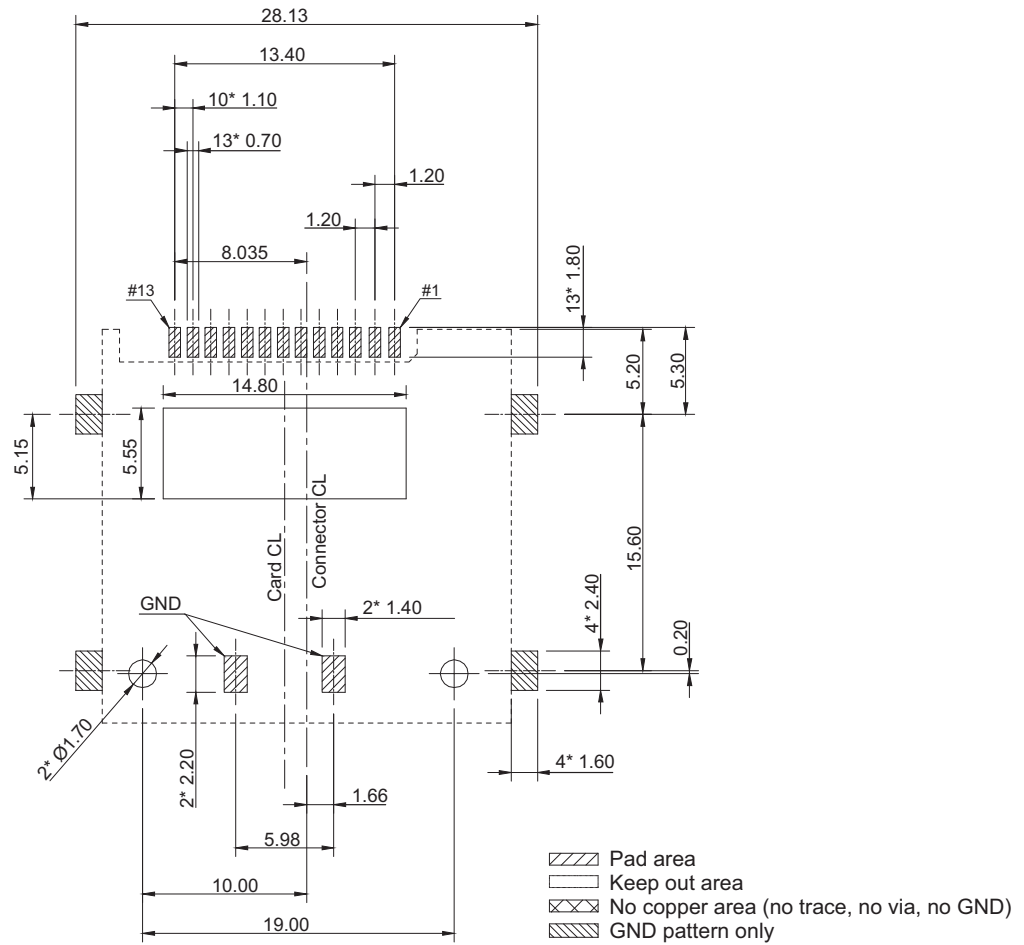


* standard



Mechanical dimensions

Unit: mm



Pin Signals

Pin	Signal	Description
13	GND	Ground
12	PETp0	PCIe Gen3 Tx singal
11	PETn0	PCIe Gen3 Tx singal
10	GND	Ground
9	PERp0	PCIe Gen3 Rx singal
8	PERn0	PCIe Gen3 Rx singal
7	GND	Ground
6	REFCLK+	Reference Clock input
5	REFCLK-	Reference Clock input
4	INS#	Media detection and power control
3	CLKREQ#	Indication of REFCLK to Host
2	+3.3V	3.3V Power Supply
1	PERST#	PCIe Express function reset

Tolerances

Linear	Symbol	Tolerance
	X.	± 0.50
	.X	± 0.30
	.XX	± 0.25

