

General specifications

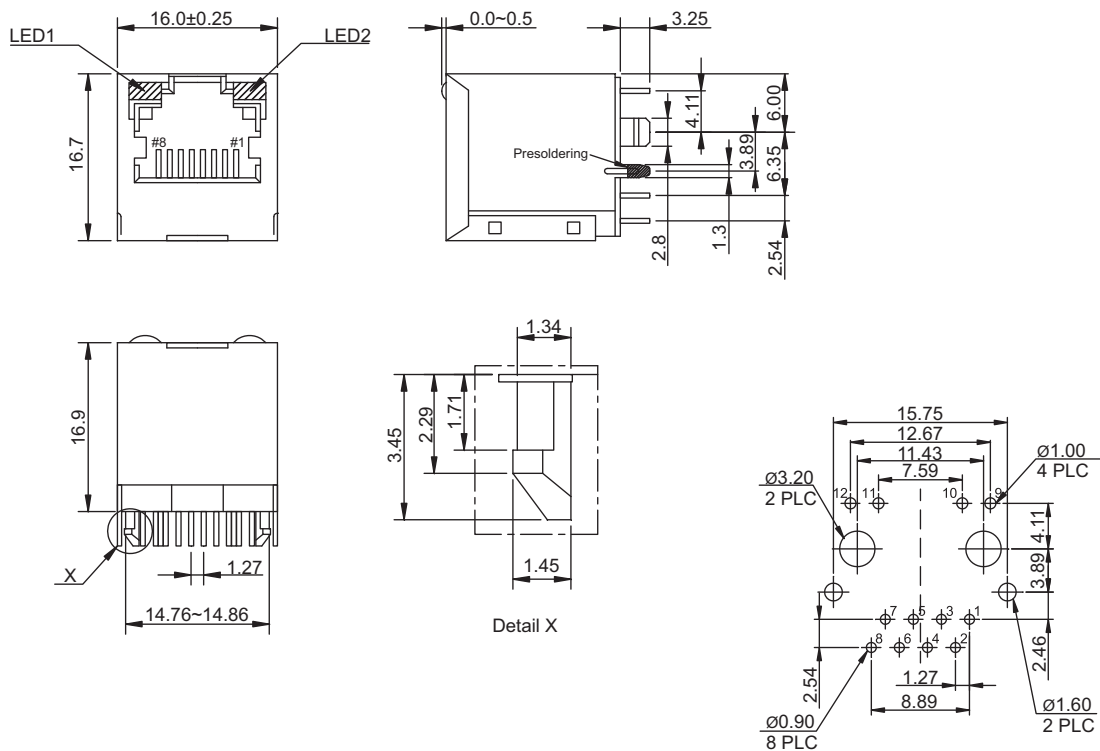
Insulator material	PBT w/ glass fiber, UL94V-0
Contact material	Phosphor bronze
Contact plating	Gold over nickel
Shield material	Brass, plating: nickel
Insulator resistance	1000 MΩ min.
Dielectrical withstanding	1500 VAC for 1 min
Durability	750 cycles
Operation temperature	-40 °C to +85 °C
Complies with	IEEE 802.3
Soldering	Lead free wave soldering process

Mating parts series



Mechanical dimensions

Unit: mm



Recommended P.C.B. layout top view

LED Default Polarity (or acc. customer request)				
	12	11	10	9
standard	+	-	+	-
69151xxxx-Z1	-	+	-	+

Tolerances		
Linear	X	± 0.25
	.XX	± 0.13
	.XXX	± 0.05

continued on page 2

Part numbering guide

69151	C	1202	G	Y	0	
Series	Contact plating C = 3 μ" gold D = 6 μ" gold F = 15 μ" gold J = 30 μ" gold	Schematics see page 2	Color LED1 N = w/o LED D = Green/yellow G = Green Y = Yellow	Color LED2	Ground spring 0 = w/o spring	LED Polarity Z1 = see table leave blank for standard

* standard

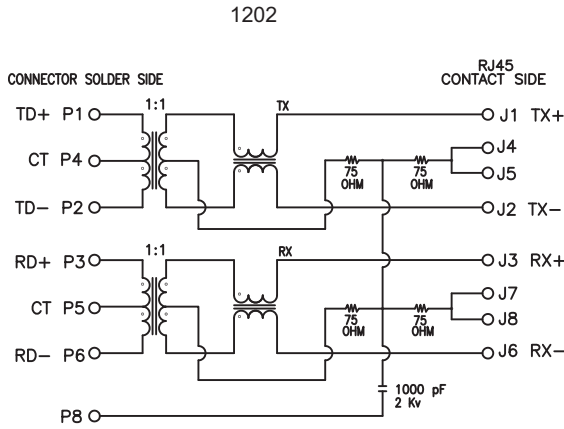


Mechanical dimensions

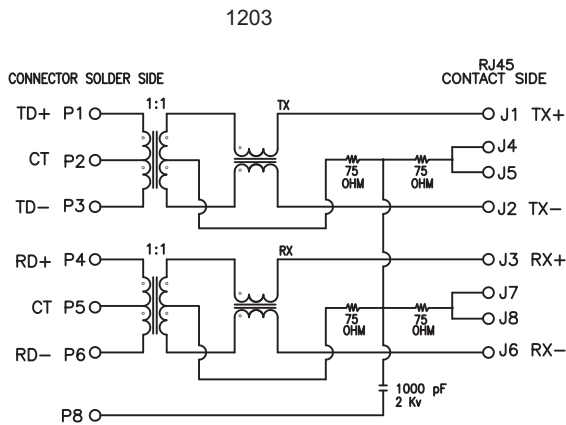
Unit: mm

Schematics

Note: other schematics and LED polarity on customer request



Turns ratio	Inductance	DC resistance	Insertion loss	Return loss			Cross talk	Common mode
				1 - 100 MHz	1 - 30 MHz	30 - 60 MHz		
1:1	350 μ H min. @ 0.1 V, 100 KHz, 8 mA DC Bias	1.2 Ω max.	-1.0 dB max.	-20 dB min.	-15 dB min.	-10 dB min.	-30 dB min.	-30 dB min.



Turns ratio	Inductance	DC resistance	Insertion loss	Return loss		Cross talk	Common mode
				1 - 100 MHz	1 - 30 MHz		
1:1	350 μ H min. @ 0.1 V, 100 KHz, 8 mA DC Bias	1.2 Ω max.	-1.1 dB max.	-18 dB min.	-12 dB min.	-30 dB min.	-35 dB min.

Tolerances	
Linear	X \pm 0.25
	.XX \pm 0.13
	.XXX \pm 0.05

