

# 1553 Series

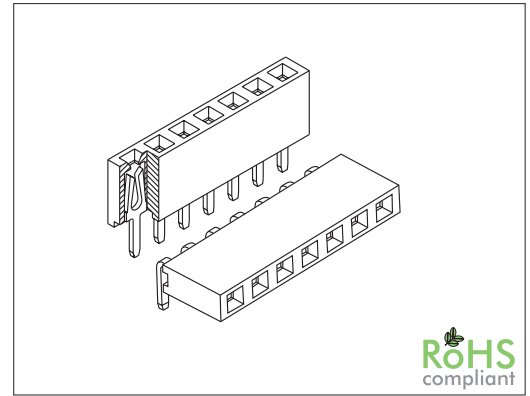
# 2.54 mm Female Header

## General specifications

Insulator material	Nylon 6T, UL94V-0, color: black
Contact material	Brass
Current rating	3 A
Voltage rating	230 V
Contact resistance	20 mΩ max.
Insulator resistance	5000 MΩ min.
Dielectrical withstanding	500 VAC for 1 min
Operating temperature	-40 °C to +105 °C
Soldering	Lead free wave soldering process

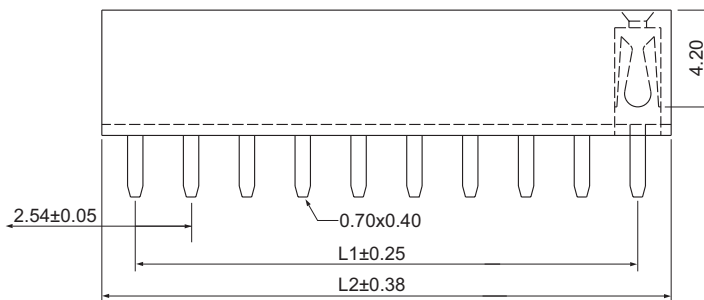
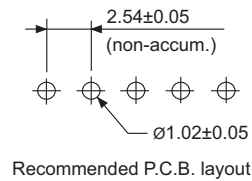
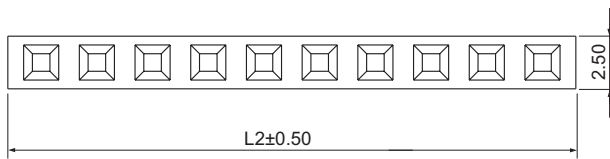
## Mating parts series

1510, 1511, 1515, 1517, 1530, 1610, 1630

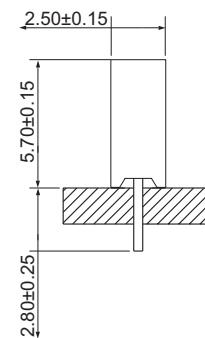


## Mechanical dimensions

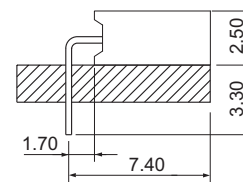
Unit: mm



**1553S**



**1553R**



$$L1 = (\text{No. of contacts} - 1) \times 2.54$$

$$L2 = \text{No. of contacts} \times 2.54 + 0.50$$

Tolerances		
Linear	X	± 0.38
	.XX	± 0.25

## Part numbering guide

**1553 S** — **04** — **B**

Series  
S = THT straight  
R = THT right angle

No. of contacts  
04 to 80

Contact plating  
B = Flashgold  
E = 10 μm gold  
F = 15 μm gold  
J = 30 μm gold

\* standard

