

5820 Series

SMT DC Jack 2.00/2.50 mm Pin

General specifications

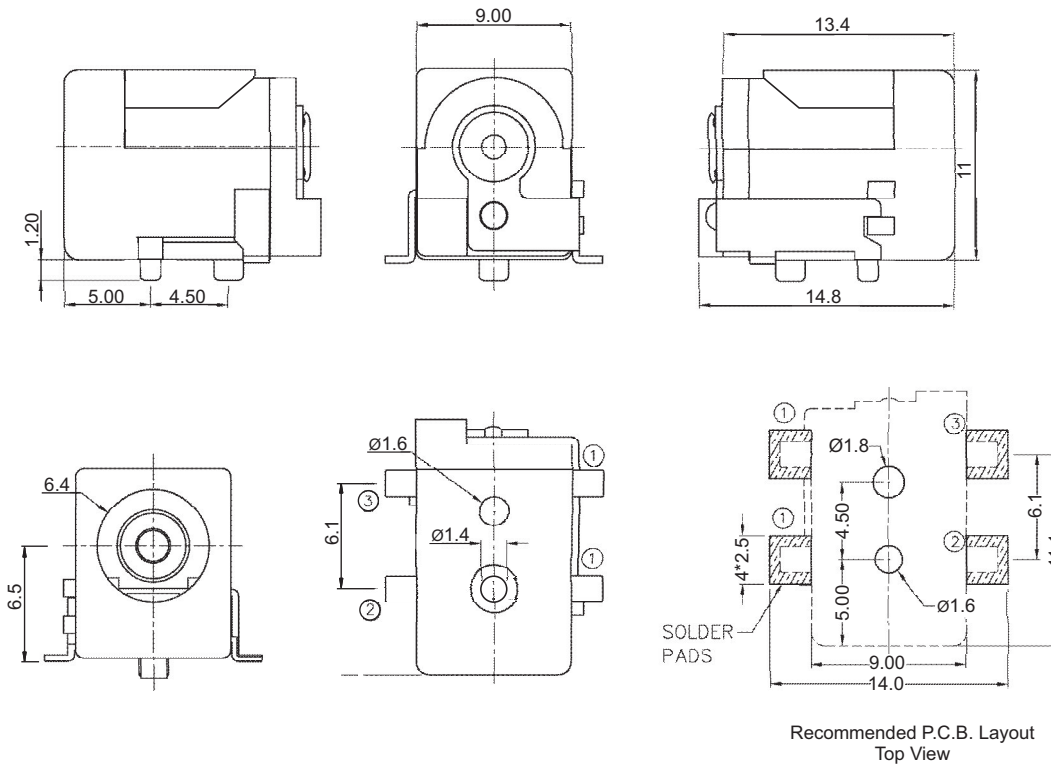
Insulator material	Nylon, UL94V-0, color: black
Contact material	Brass, plating: silver
Current rating	2.5 A
Voltage rating	24 VDC
Contact resistance	50 mΩ max.
Insulator resistance	50 MΩ min.
Dielectrical withstanding	500 VAC for 1 min
Operating temperature	-25 °C to +85 °C
Soldering	JEDEC lead free reflow soldering process

Mating parts series

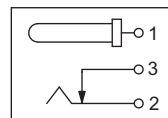


Mechanical dimensions

Unit: mm



Recommended P.C.B. Layout
Top View



Tolerances		
Linear	<6	± 0.20
	6 to 20	± 0.30
	>20	± 0.40

Part numbering guide

5820 — G

Series Contact
 G = 2.00 mm
 J = 2.50 mm

* standard

