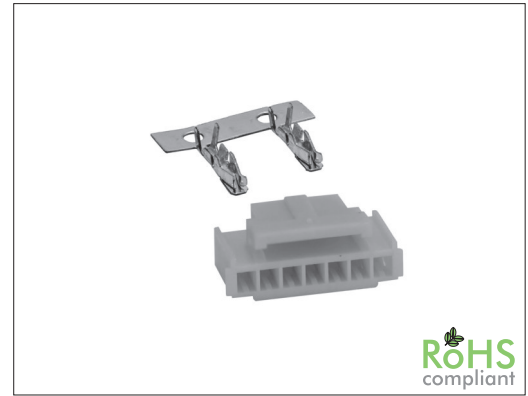


# 2210 Series

# 2.00 mm PA Housing w/ Lock and Terminal

### General specifications

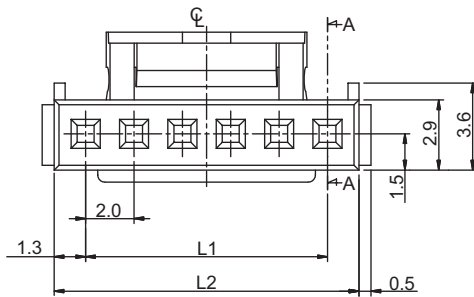
Insulator material	Nylon 66, UL94V-0, color: natural
Contact material	Phosphor bronze, plating: tin
Current rating	2 A
Volage rating	250 V AC/DC
Contact resistance	20 mΩ max.
Insulator resistance	1000 MΩ min.
Dielectrical withstanding	800 VAC for 1 min
Operating temperature	-25 °C to +105 °C
<b>Mating parts series</b>	
2210-H, 2210-R, 2210-S	



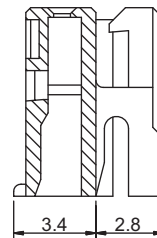
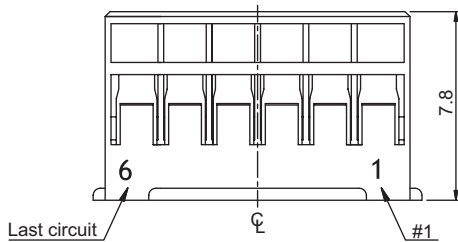
### Mechanical dimensions

Unit: mm

#### 2210P

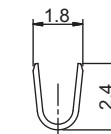
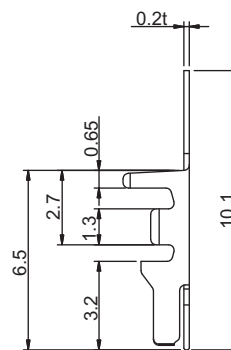
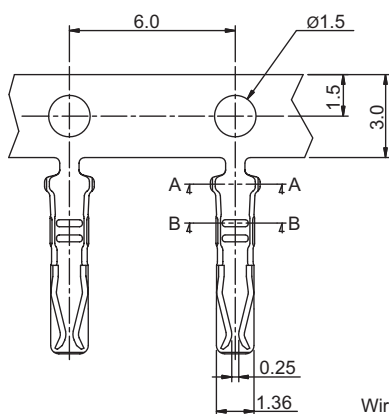


L1 = No. of contacts x 2.00 - 2.00  
L2 = No. of contacts x 2.00 + 0.60

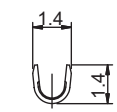


Section A-A

#### 2210T



Section A-A



Section B-B

Tolerances		
Linear	X	± 0.30
	.XX	± 0.20
	.XXX	± 0.10

Wire range: AWG 24 to 30

### Part numbering guide

2210 P

02

Series  
P = Housing  
T = Terminal

No. of contacts  
02 to 16  
(leave blank for terminal)

\* standard

