

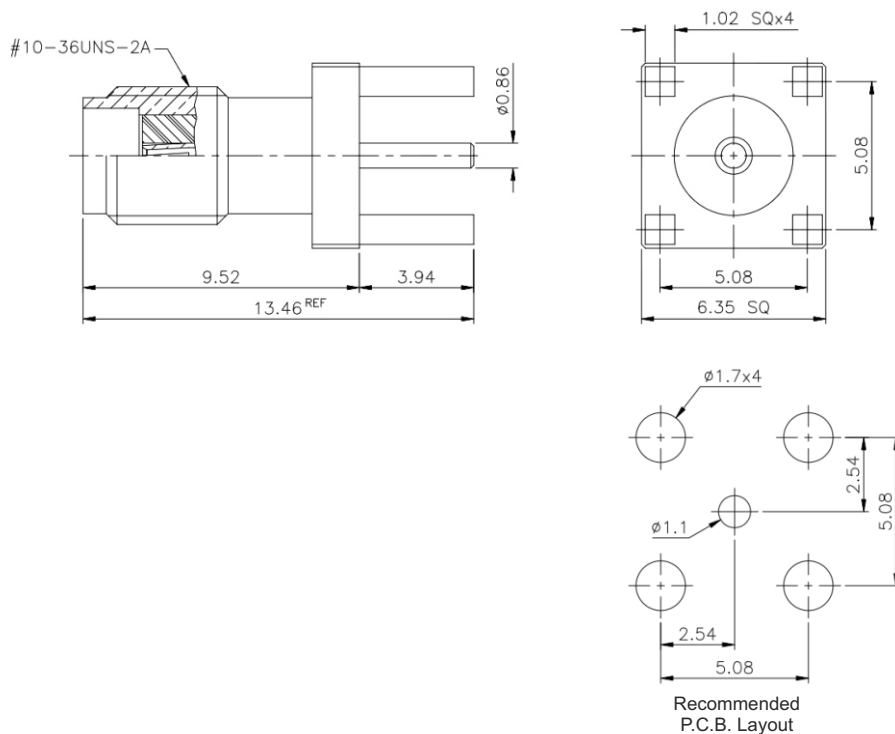
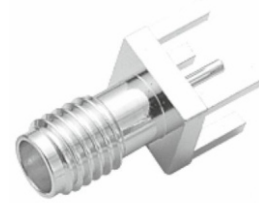
# Series 49011 SSMA Jack Straight

## Material

Insulator:	Teflon
Body:	Brass, finish 3 $\mu$ " gold
Center contact:	Beryllium copper, finish 30 $\mu$ " gold
Crimp ferrules:	Annealed brass, finish 3 $\mu$ " gold

## Electrical

Impedance:	50 $\Omega$
Frequency range:	0 - 18 GHz
Dielectrical withstanding:	750 Vrms
VSWR:	1.2 + 0.03 F (GHz) max.
Contact resistance:	center: 6 m $\Omega$ max. / outer: 2.5 m $\Omega$ max.
Insulator resistance:	1000 M $\Omega$ min.
Operating temperature:	-55 $^{\circ}$ C ~ +105 $^{\circ}$ C
Durability:	500 cycles



Tolerances	
Linear	<6 ± 0.2
	6~30 ± 0.4
	>30 ± 0.6

**RoHS**  
compliant

All dim. in mm

**49011**

Series  
49011

Packing  
Tray / Bulk