

# 5891 Series

# DC Jack Vertical Pin 2.00 or 2.50 mm

### General specifications

Insulator material	PBT, UL94V-0
Contact material	Brass, plating: silver
Current rating	2.5 A
Voltage rating	24 VDC
Contact resistance	50 mΩ max.
Insulator resistance	100 MΩ min.
Dielectrical withstanding	500 VAC for 1 min
Operating temperature	-25 °C to 85 °C
Soldering	Lead free wave soldering process

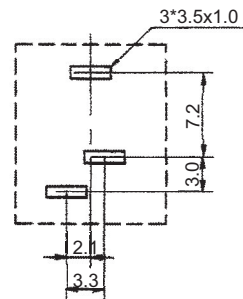
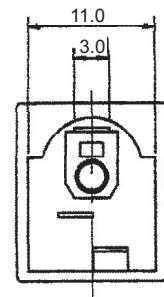
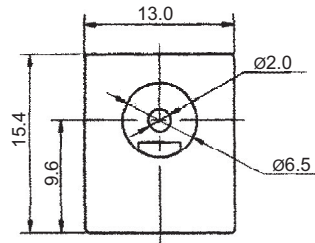
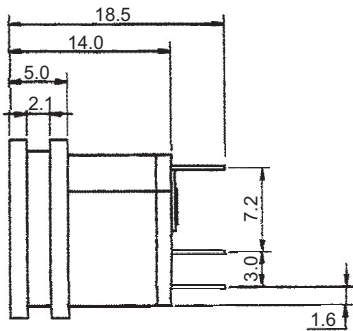
### Mating parts series



RoHS  
compliant

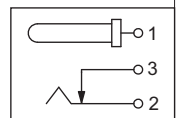
### Mechanical dimensions

Unit: mm



Recommended P.C.B. layout

Tolerances	
Linear	<6 ± 0.10
	6 to 20 ± 0.20
	>20 ± 0.30



### Part numbering guide

5891

G

Series

Contact

G = 2.00 mm

J = 2.50 mm

\* standard

