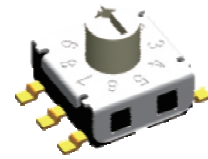


SW-RJM Series SMT Rotary Switch 7 x 7 mm

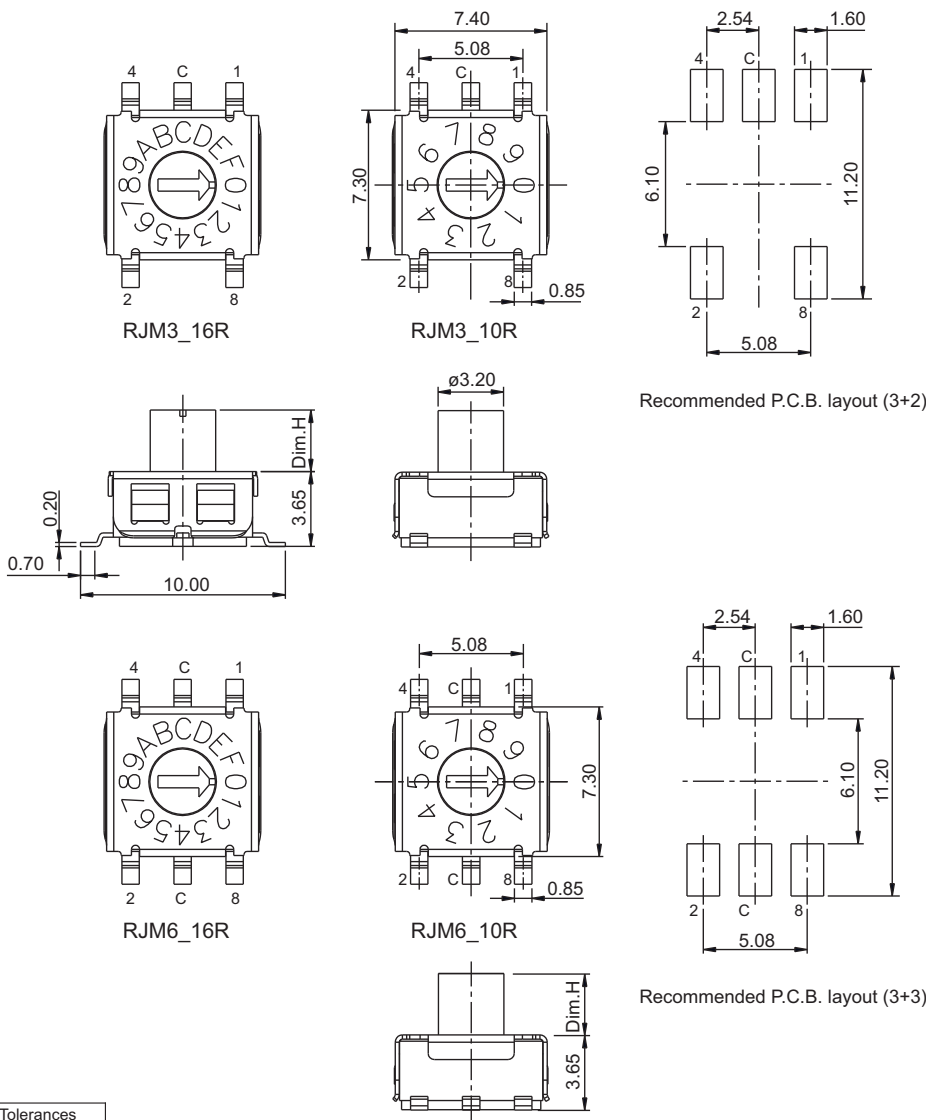
General specifications

Housing material	High temperature plastic, UL94V-0, color: black
Actuator material	High temperature plastic, UL94V-0, color: white
Contact material	Copper alloy, plating: gold
Current rating	25 mA
Voltage rating	24 VDC
Contact resistance	100 mΩ max.
Insulator resistance	100 MΩ min. @ 100 VDC
Dielectrical withstanding	250 VAC for 1 min
Operating temperature	-40 °C to +85 °C
Operating force	200 gf max.
Durability	20000 cycles
Soldering	JEDEC lead free reflow soldering process



Mechanical dimensions

Unit: mm



Coding table					
Type	Position	1	2	4	8
10R 16R	0	●	●	●	●
	1	○	●	●	●
	2	●	○	●	●
	3	○	○	●	●
	4	●	●	○	●
	5	○	●	○	●
	6	●	○	○	●
	7	○	○	○	●
	8	●	●	●	○
	9	○	●	●	○
16R	A	●	○	●	○
	B	○	○	●	○
	C	●	●	○	○
	D	○	●	○	○
	E	●	○	○	○
	F	○	○	○	○

○ ON ● OFF

Tolerances	
Linear	± 0.20

Part numbering guide

SW-RJM	3	H	10	R	Q	TR
Series	Solder pins 3 = 3+2 6 = 3+3	Actuator length Dim.H H = 3.0 mm (leave empty for recessed actuator H=0)	Steps 10 = 10 16 = 16	Code no. printing R = Real codes	Material Q = Halogen free	Packing TR = Reel (leave empty for tube)

* standard

