

64002 Series

SMT RJ45 8P Top Entry Shielded

General specifications

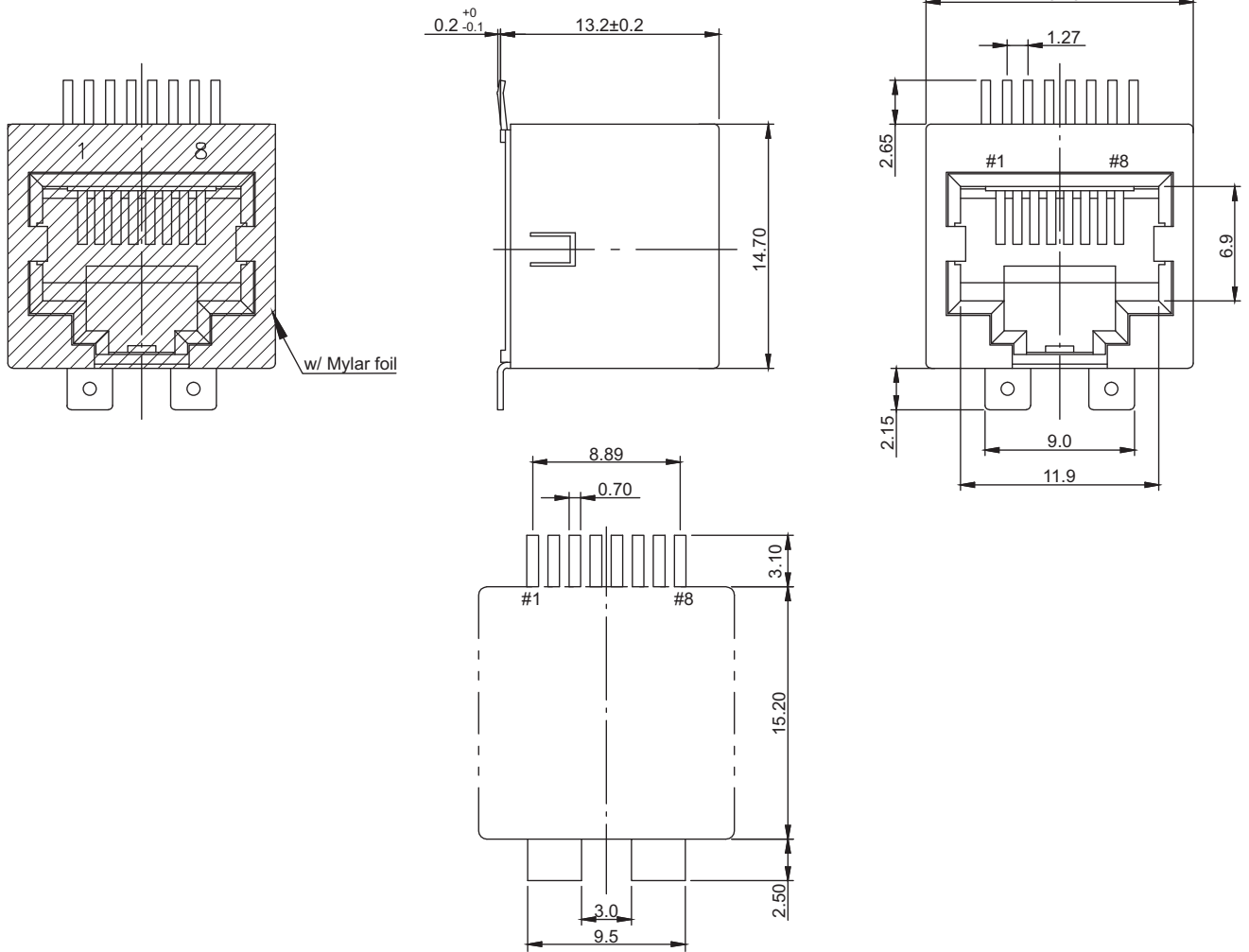
Insulator material	High temperature thermoplastic, UL94V-0, color: black
Contact material	Phosphor bronze, plating: gold over nickel
Current rating	1.5 A
Voltage rating	125 VAC
Contact resistance	30 mΩ max.
Insulator resistance	1000 MΩ min. @ 500 VDC
Dielectrical withstandig	1000 VAC for 1 min
Operating temperature	-40 °C to +85 °C
Soldering	JEDEC lead free reflow soldering process
Durability	750 cycles

Mating parts series



Mechanical dimensions

Unit: mm



Recommended P.C.B. layout component side

Tolerances	
Linear	X ± 0.25
	.XX ± 0.15

Part numbering guide

64002 — C

Series

Contact plating

C = 3 μ" gold

D = 6 μ" gold

F = 15 μ" gold

J = 30 μ" gold

K = 50 μ" gold

* standard

