

# 5964 Series

# AC Inlet Socket Solder Type

### General specifications

Insulator material	Thermoplastic, UL94V-0 to UL94V-2
Current rating	10 A
Voltage rating	250 VAC
Insulator resistance	100 MΩ min. @ 500 VDC
Dielectrical withstanding	2000 VAC for 1 min
Operation temperature	-25 °C to +85 °C
Soldering	Lead free soldering process

Safety approvals available, certificates on request

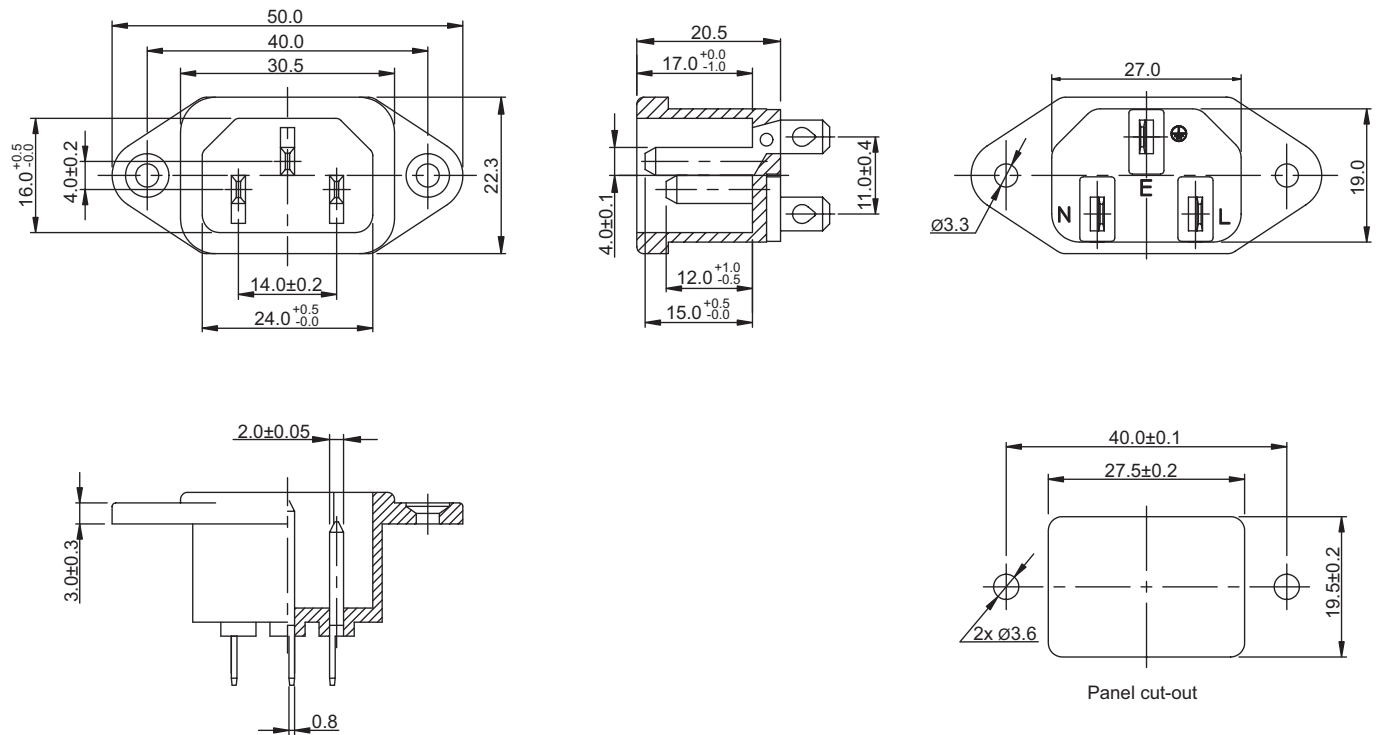
### Mating parts series

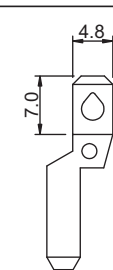
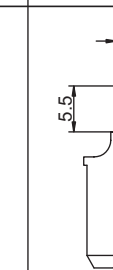
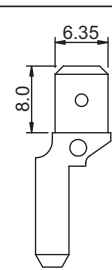


RoHS compliant

### Mechanical dimensions

Unit: mm



Type 0	Type 1	Type 2
		
4.8 (width), 7.0 (height)	4.0 (width), 5.5 (height)	6.35 (width), 8.0 (height)

Tolerances	
Linear	XX.XX ± 0.20
	X.XX ± 0.10

### Part numbering guide

5964 A	0	V0
Series	Material	Material
	0 = Type 0	V0 = UL94V-0
	1 = Type 1	V1 = UL94V-1
	2 = Type 2	V2 = UL94V-2

\* standard

