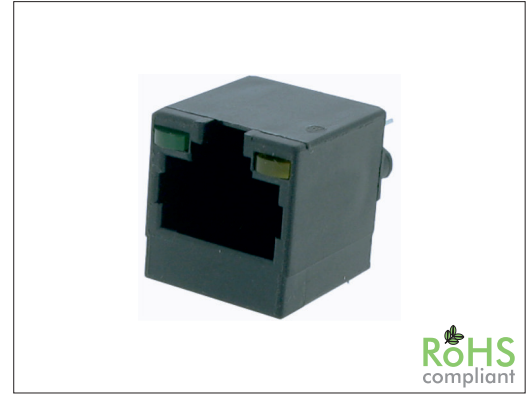


# 67120 Series RJ45 8P LED Top Entry

## General specifications

Insulator material	PBT w/ glass fiber, UL94V-0
Contact material	Phosphor bronze, plating: gold
Current / voltage rating	1.0 A / 150 VAC
Contact resistance	50 mΩ max
Insulator resistance	200 MΩ min.
Dielectrical withstanding	1000 VAC for 1 min.
Durability	750 cycles
Operation temperature	-40 °C to +85 °C
Soldering	Lead free wave soldering process

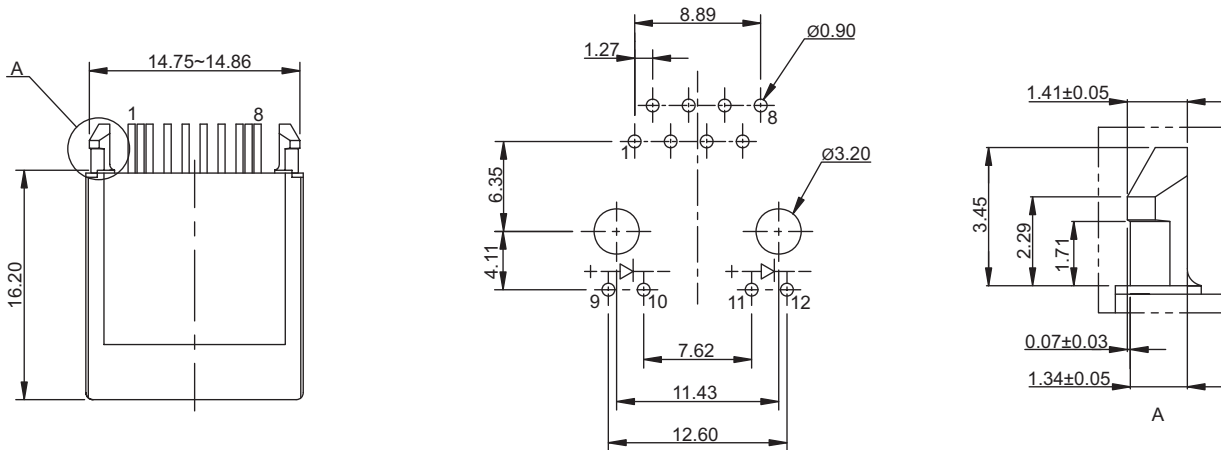
## Mating parts series



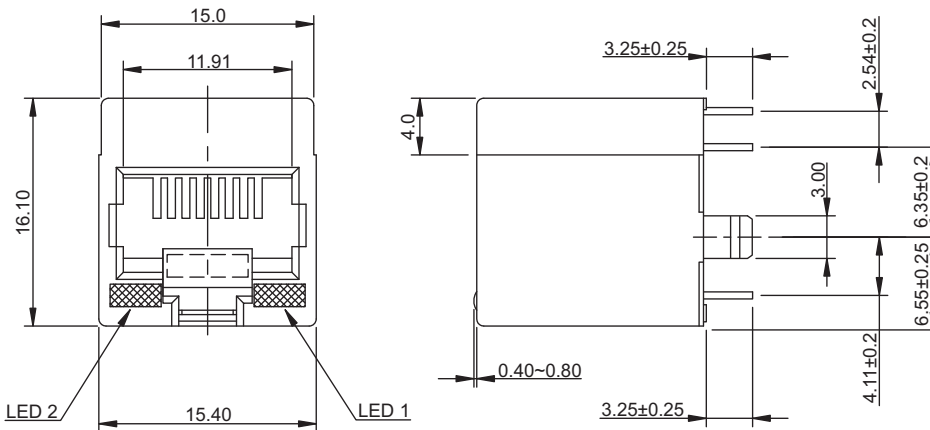
RoHS  
compliant

## Mechanical dimensions

Unit: mm



Recommended P.C.B. layout



Tolerances	
Linear	X ± 0.38
	.XX ± 0.25

## Part numbering guide

<b>67120</b>	<b>C</b>	<b>G</b>	<b>Y</b>
Series	Contact plating C = 3 μ" gold K = 50 μ" gold D = 6 μ" gold F = 15 μ" gold J = 30 μ" gold	Color LED1 D = Green/yellow G = Green R = Red Y = Yellow	Color LED2 N = w/o LED

\* standard

