

# 4262 Series

# 3.5 mm Earphone Jack Vertical

## General specifications

Insulator material	ABS
Contact material	Brass, plating: tin
Current rating	0.5 A
Voltage rating	30 VDC
Contact resistance	30 mΩ max.
Insulator resistance	100 MΩ min. @ 500 VDC
Dielectrical withstanding	500 VAC for 1 min
Operating temperature	-20 °C to +70 °C
Durability	2000 cycles
Soldering	Lead free wave soldering process

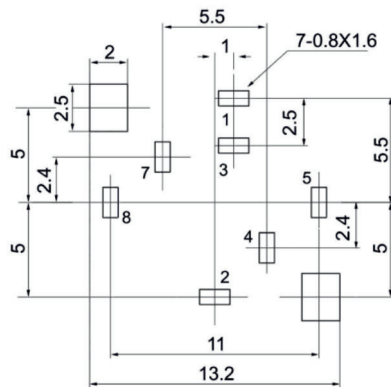
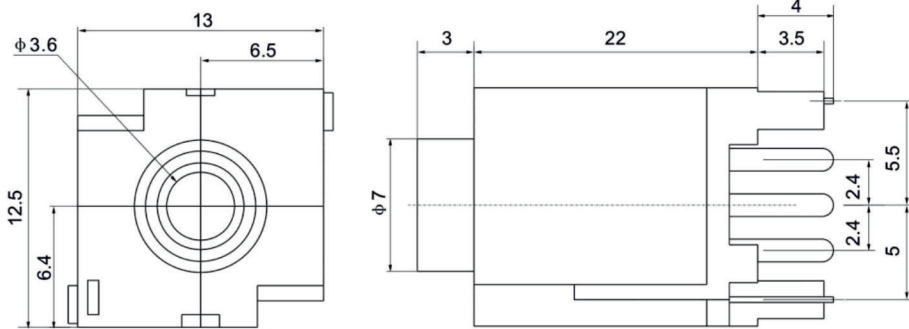
## Mating parts series



RoHS  
compliant

## Mechanical dimensions

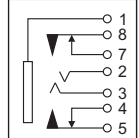
Unit: mm



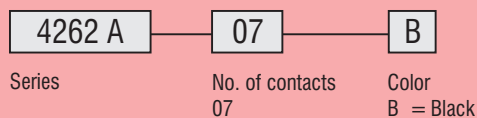
Recommended P.C.B. layout  
top view

Tolerances	
Linear	>20 ± 0.4
	6~20 ± 0.3
	<6 ± 0.2

4262A07



## Part numbering guide



\* standard

