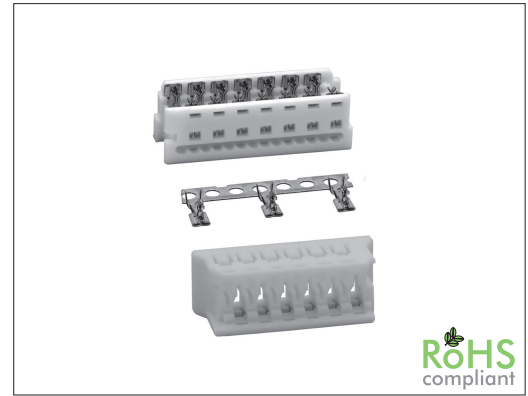


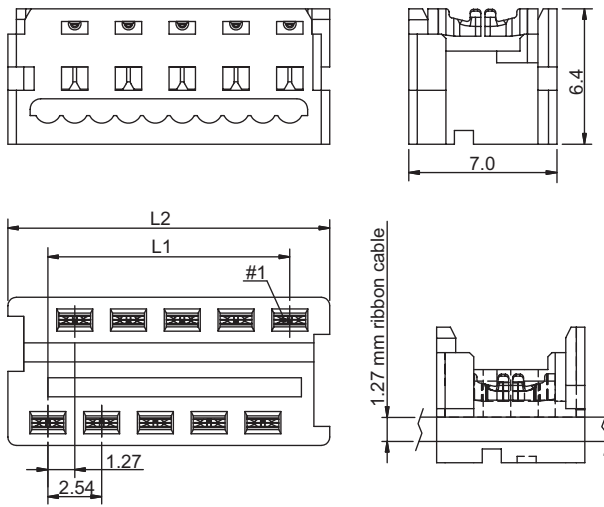
General specifications	
Insulator material	Polyester w/ fiber glass, UL94V-0, color: nature
Contact material	Phosphor bronze
Current rating	1.2 A
Contact resistance	15 mΩ max.
Insulator resistance	1000 MΩ min.
Dielectrical withstanding	750 VAC for 1 min
Operating temperature	-40 °C to +105 °C
Wire range	AWG 26 to 28
Mating parts series	
2283-S, 2283-R, 2283-V	



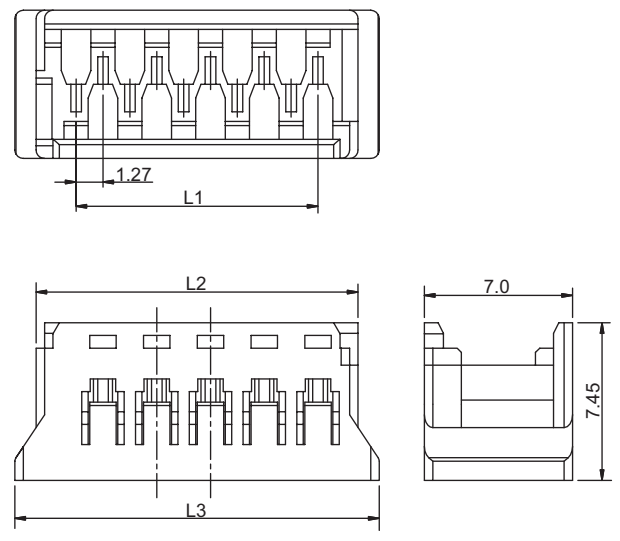
Mechanical dimensions

Unit: mm

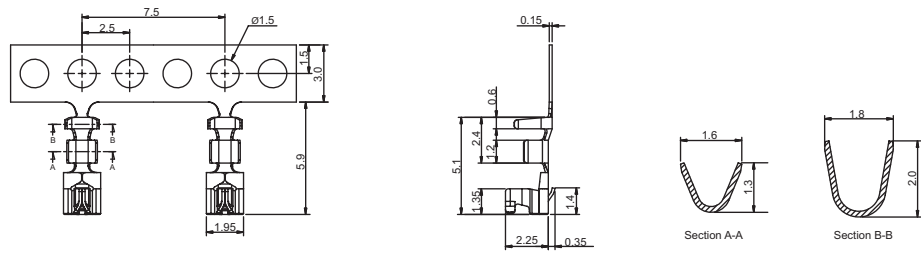
2283I



2283P



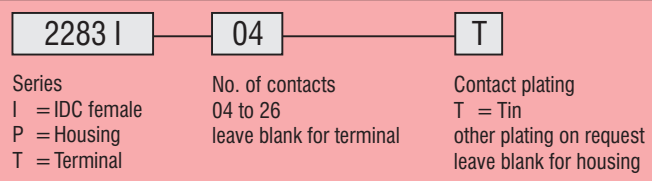
2283T



Tolerances		
Linear	X	± 0.30
	XX	± 0.20
	XXX	± 0.10

L1 = (No. of contacts-1)x1.27
 L2 = L1+3.78
 L3 = L1+5.78

Part numbering guide



* standard

