

4252 Series

3.5 mm Earphone Jack Vertical Shielded

General specifications

Insulator material	PBT w/ glass fiber, UL94V-0
Contact material	Phosphor bronze or brass, plating: tin
Bushing material	Brass, plating: nickel
Current rating	2 A
Voltage rating	12 VDC
Contact resistance	30 mΩ max.
Insulator resistance	100 MΩ min.
Dielectrical withstanding	500 VAC for 1 min.
Durability	2000 cycles
Soldering	Lead free wave soldering process

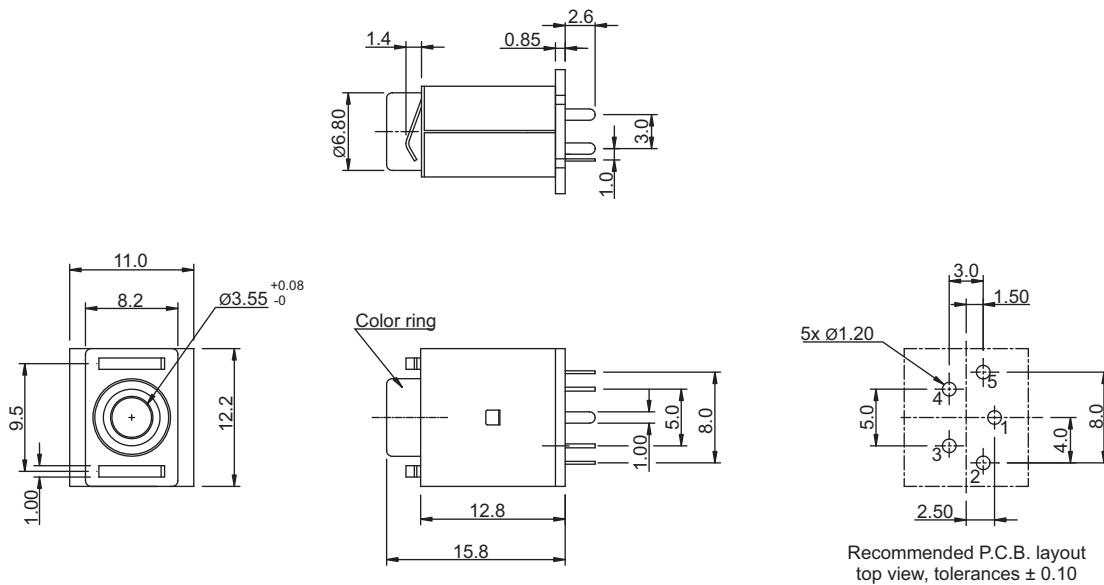
Mating parts series



RoHS
compliant

Mechanical dimensions

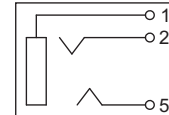
Unit: mm



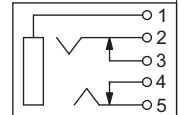
Recommended P.C.B. layout
top view, tolerances ± 0.10

Tolerances		
Linear	X	± 0.30
	.XX	± 0.20
	.XXX	± 0.05

4252A03



4252A05



Part numbering guide

4252 A — 03 — B

Series

No. of contacts
03, 05

Color

A = Pink
B = Black*
C = Lime
D = Yellow

E = Orange
F = Light blue

* standard

