

3081 Series

Dual HD D-Sub / D-Sub Female / Male

General specifications

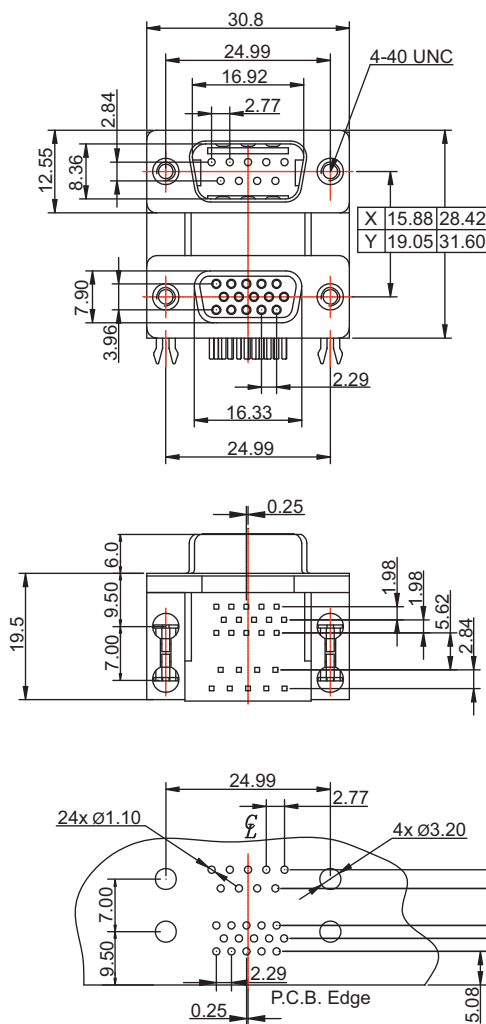
Insulator material	PBT, UL94V-0
Contact material	Copper alloy
Current rating	3 A
Contact resistance	25 mΩ max.
Insulator resistance	1000 MΩ min.
Dielectrical withstanding	500 VAC for 1 min
Operating temperature	-55 °C to +105 °C
Soldering	JEDEC lead free wave soldering process
Mating parts series	



Mechanical dimensions

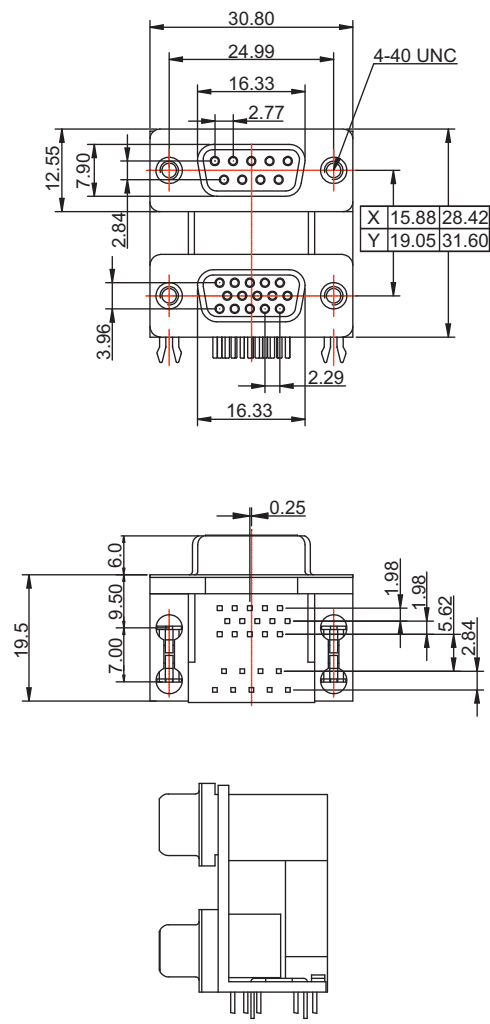
3081A

09 pin male / 15 HD pin female



3081B

09 pin female / 15 HD pin female



Unit: mm

Tolerances	
Linear	X ± 0.25
	.XX ± 0.10

Recommended P.C.B. layout

continued on page 2

Part numbering guide

3081 A	01	B	X
Series (top / bottom) A = Male / female B = Female / female C = Female / male D = Female / female	No. of contacts (top / bottom) 01 = 09 / 15 02 = 15 / 09	Contact plating B = Flashgold* E = 10μ" gold F = 15μ" gold J = 30μ" gold	Socket spacing X = 15.88 mm Y = 19.05 mm

* standard

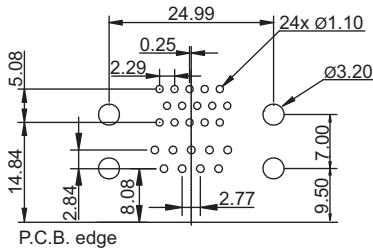
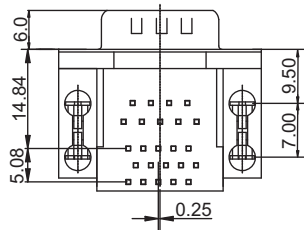
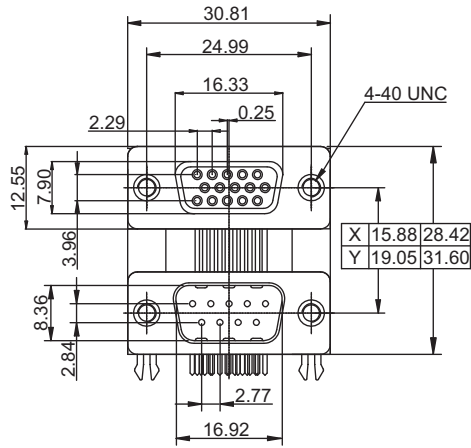


Mechanical dimensions

Unit: mm

3081C

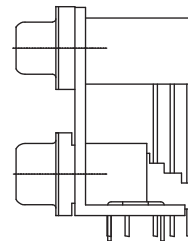
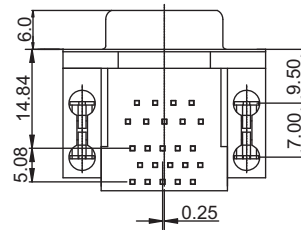
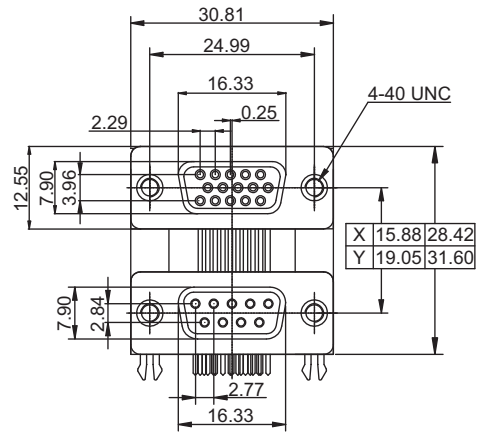
15 HD pin female / 09 pin male



Recommended P.C.B. layout

3081D

15 HD pin female / 09 pin female

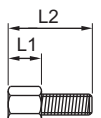


X	15.88	28.42
Y	19.05	31.60

X	15.88	28.42
Y	19.05	31.60

Ordercode for screws UNC4-40 only

Ordercode	L1	L2
3099U1	4.8	11.8
3099U9	5.8	12.0



Tolerances		
Linear	X	± 0.25
	.XX	± 0.10

