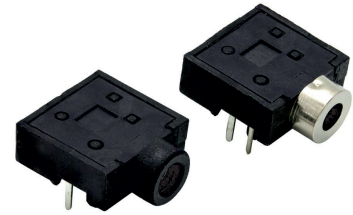


# 4135 Series 2.5 mm Earphone Jack

## General specifications

Insulator material	Nylon PA66, UL94V-0
Contact material	Copper alloy, plating: tin
Current rating	1 A
Contact resistance	50 mΩ max.
Insulator resistance	100 MΩ min.
Dielectrical withstanding	500 VAC for 1 min
Operating temperature	-25 °C to +85 °C
Soldering	Lead free wave soldering process
Durability	2000 cycles

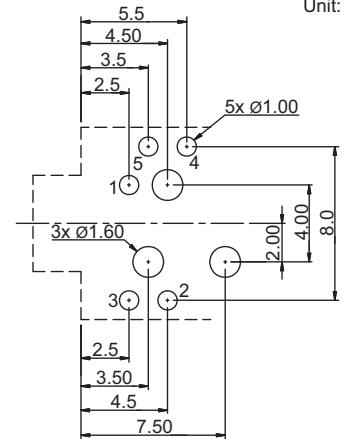
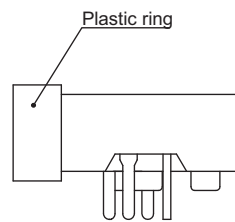
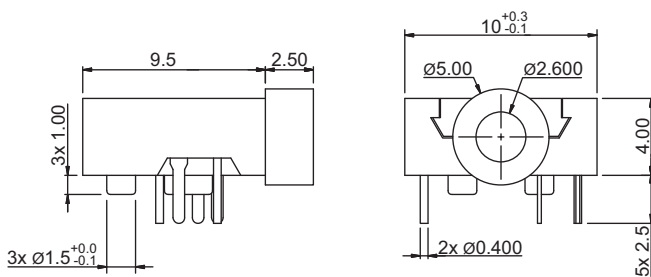
## Mating parts series



## Mechanical dimensions

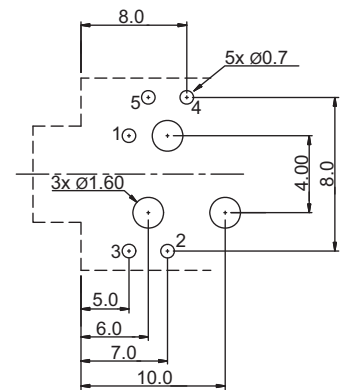
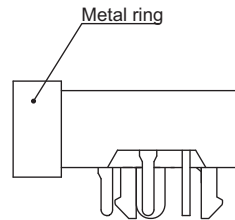
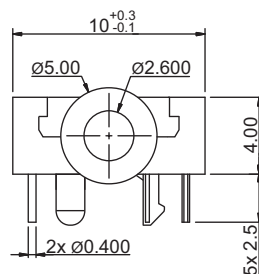
Unit: mm

4135A



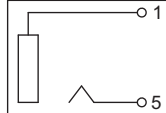
Recommended P.C.B. layout (bottom view)  
Tolerances ± 0.10

4135B

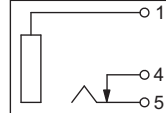


Recommended P.C.B. layout (bottom view)  
Tolerances ± 0.10

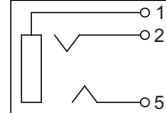
4135x02



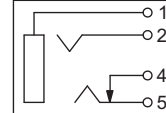
4135x3A



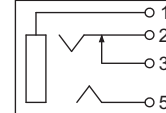
4135x3B



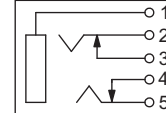
4135x4A



4135x4B



4135x05



Tolerances		
Linear	X	± 0.30
	.XX	± 0.20
	.XXX	± 0.05

## Part numbering guide

4135 A — 03 — B

Series                      No. of contacts      Color  
 A = Plastic ring      02, 3A, 3B, 4A,    B = Black  
 B = Metal ring      4B, 05

\* standard

