

49370 Series

Adapter F-Quick Male to F Female

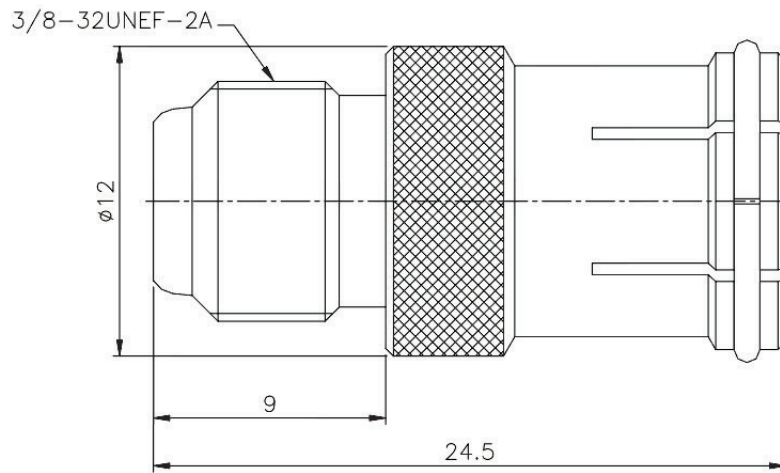
General specifications

Insulator material	Polypropylene, Delrin
Housing material	Brass, plating: nickel
Contact material	Brass, plating: tin over copper
Contact resistance	20 mΩ max.
Insulator resistance	500 MΩ min.
Dielectrical withstanding	1200 VAC for 1 min
VSWR	1.2 max. 0 to 1500 MHz
Impedance	75 Ω



Mechanical dimensions

Unit: mm



Tolerances		
Linear	.X	± 0.30
	.XX	± 0.10

Part numbering guide

49370

Series

* standard

